



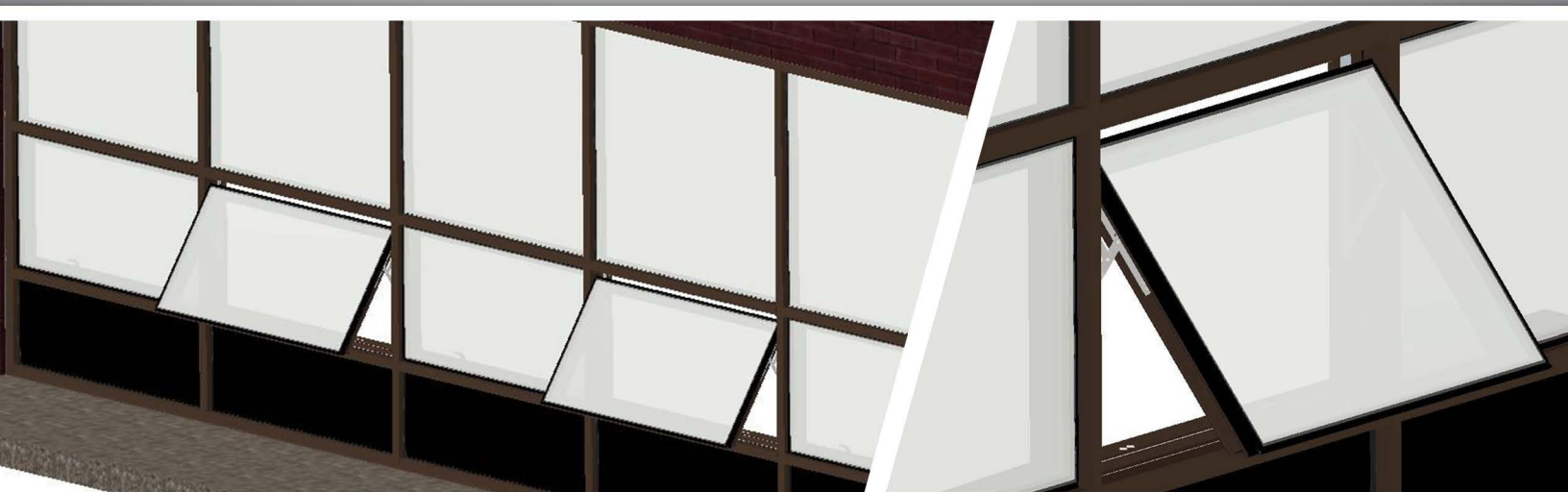
WINTECH

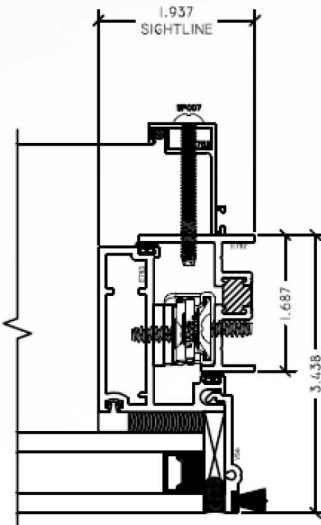
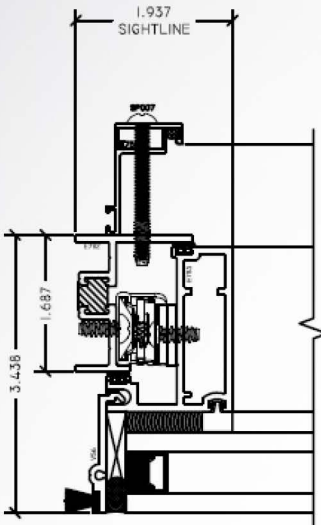
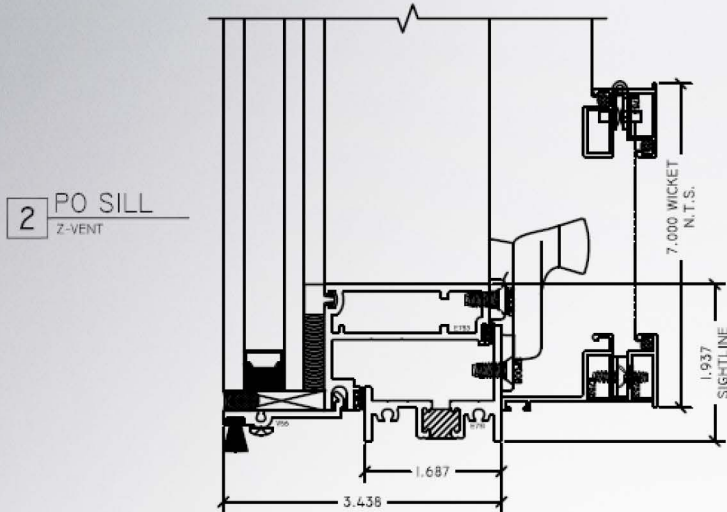
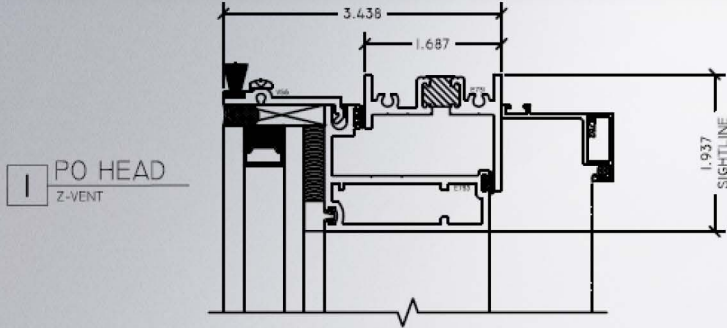
An Employee Owned Company

Z VENT

WinTech's commercial ZERO Sightline vent provides value and good looks to your storefront or curtain wall project.

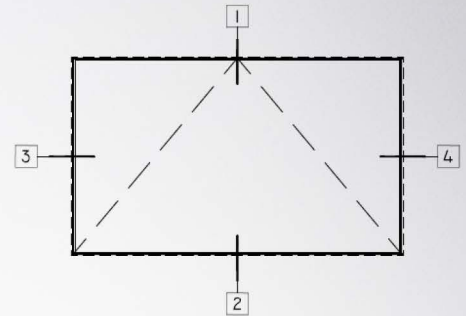
- Thermally broken framing with industry leading U Factors (see chart on reverse)
- 1" glazing pocket shipped open for project glazing match
- Painted and anodized finish options
- Project out and outswing casement options
- Extruded aluminum screen available
- Projected Hardware — Cam locks or dual shoe roto-operator with 4 bar arms
- Casement Hardware — Cam locks or lift locks with 4 bar arms



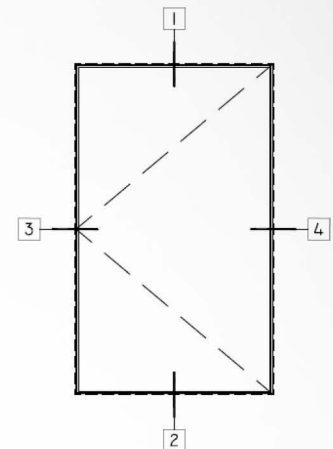


Z Vent Thermal Performance Chart

Center of Glass U Factor	Project Out 59" x 24"	Casement Out Swing 24" x 59"
0.44	0.48	0.47
0.4	0.45	0.44
0.36	0.41	0.41
0.32	0.38	0.37
0.29	0.33	0.31
0.24	0.31	0.29
0.2	0.28	0.28



Projected Details Shown



Casement Details Similar