



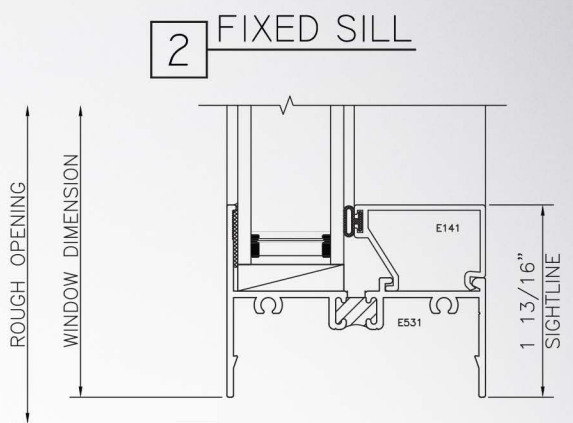
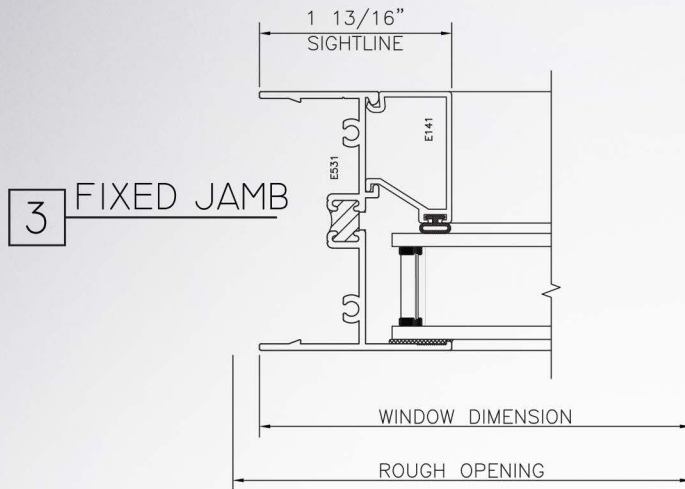
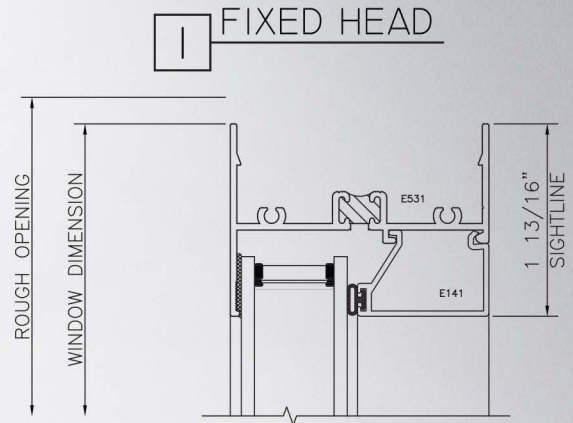
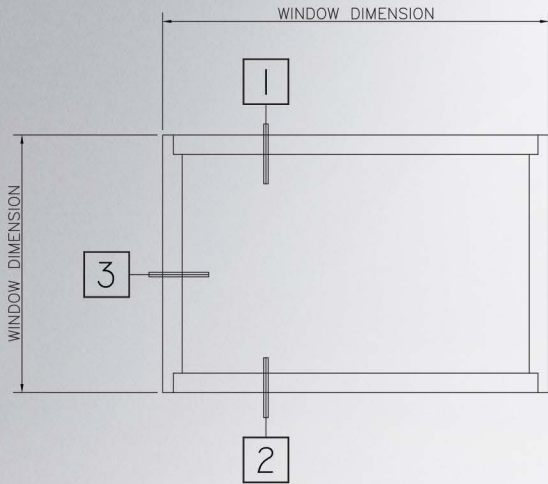
SERIES 220 FIXED WINDOW

WinTech's Series 220 aluminum fixed window is a 2 1/2" thermally broken frame depth system. Along with the narrow sightline, the Series 220 is AMMA tested and rated to CW60. With multiple glazing options, finish options, and installation accessories, the Series 220 is perfect for many architectural needs, including educational facilities, health care, office, and hospitality. When you need a great performing window and must stay in your budget, look no further.

The Series 220 is the answer.



SERIES 220 FIXED WINDOW



Glazing Options

- Maximum Glazing Pocket 5/8"
- Single Glazing Option

Finish Capabilities

- Clear and Dark Bronze Anodized
 - Additional anodize options available upon request
- AAMA 2603, 2604, and 2605 Painted
 - Custom color match available upon request

Structural Test

Product Type	Test Protocol	Product Designation	Test Size	Design Pressure	Structural Test Pressure	Air Infiltration	Water Resistance Test Pressure
Fixed	AAMA 11	CW - PG60	60x72	60 psf	90 psf	< 0.02	15 psf