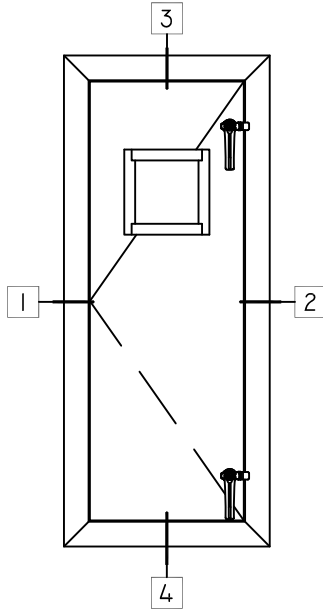




**WINTECH**  
An Employee Owned Company

# SD2200 POSITIVE / INSWING

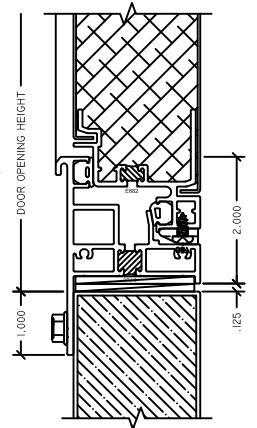
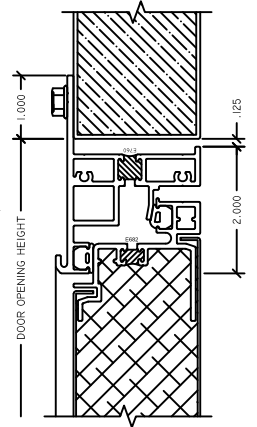
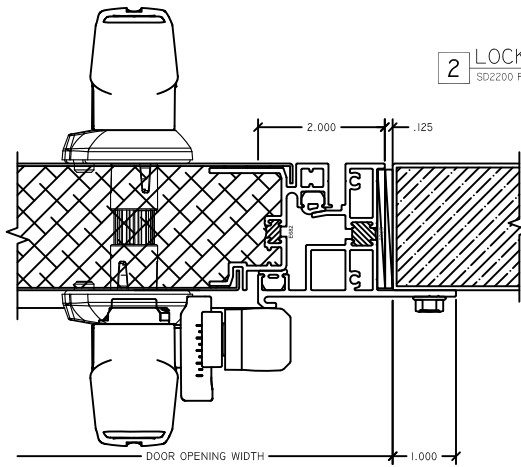
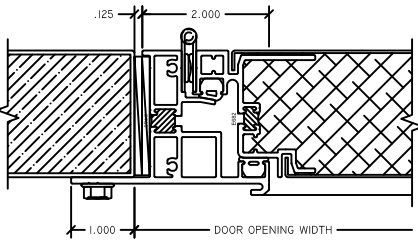


**1** HINGE JAMB  
SD2200 POS

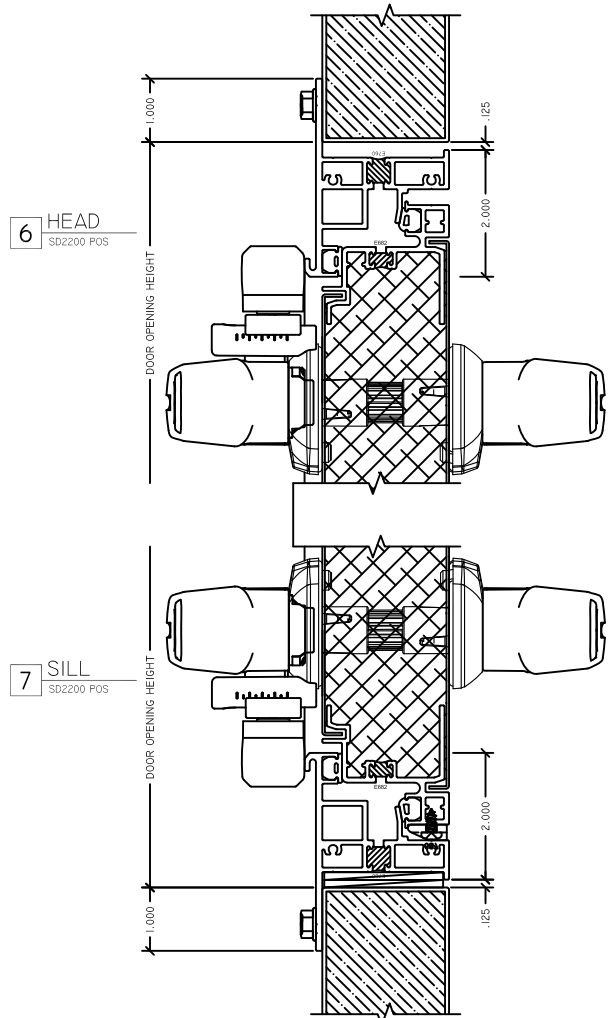
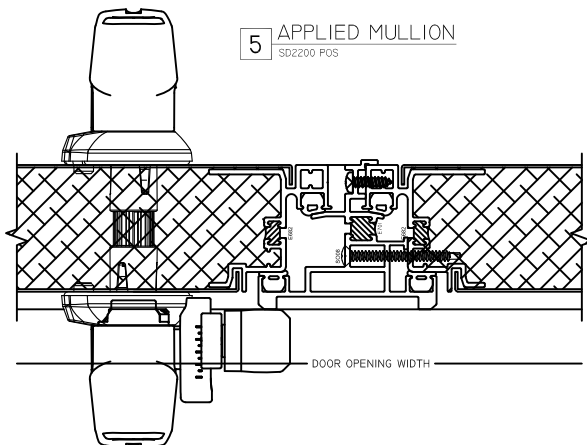
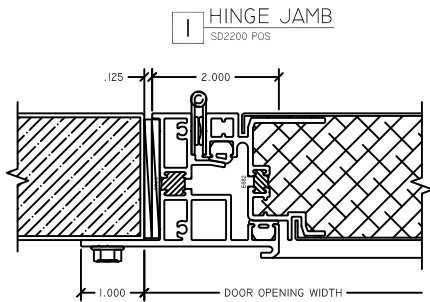
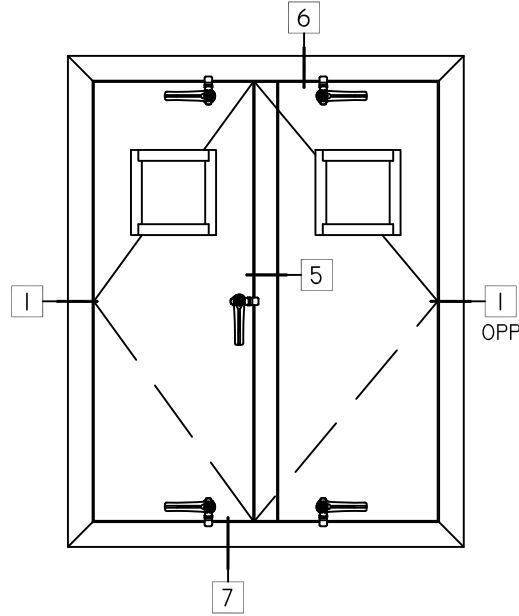
**2** LOCK JAMB  
SD2200 POS

**3** HEAD  
SD2200 POS

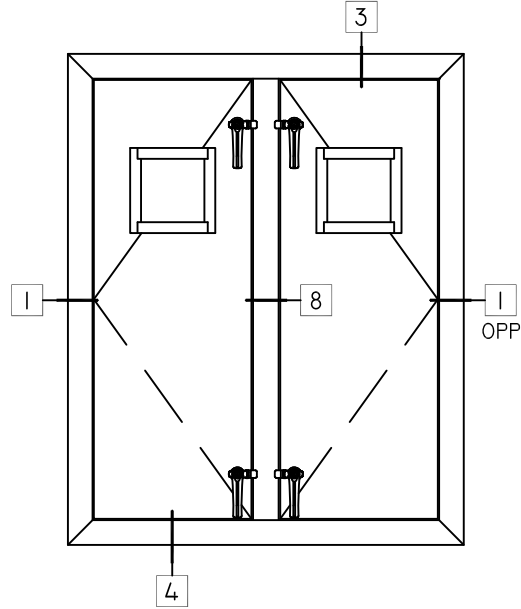
**4** SILL  
SD2200 POS



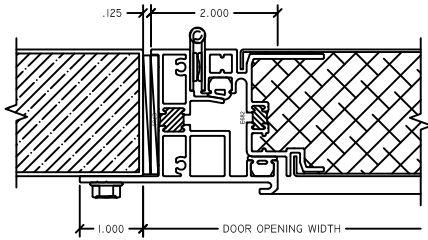
# SD2200 POSITIVE / INSWING TWIN WITH APPLIED MULLION



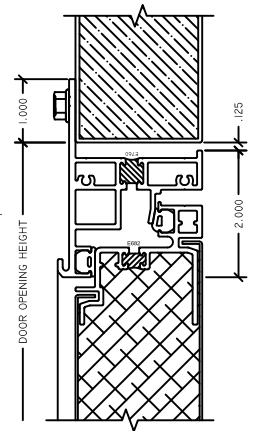
# SD2200 POSITIVE / INSWING TWIN WITH REMOVABLE MULLION



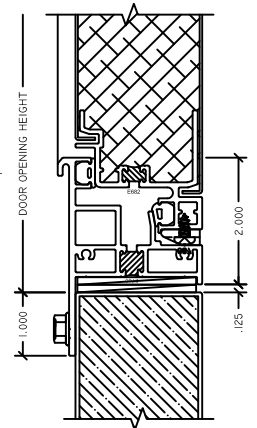
**1** HINGE JAMB  
 SD2200 POS



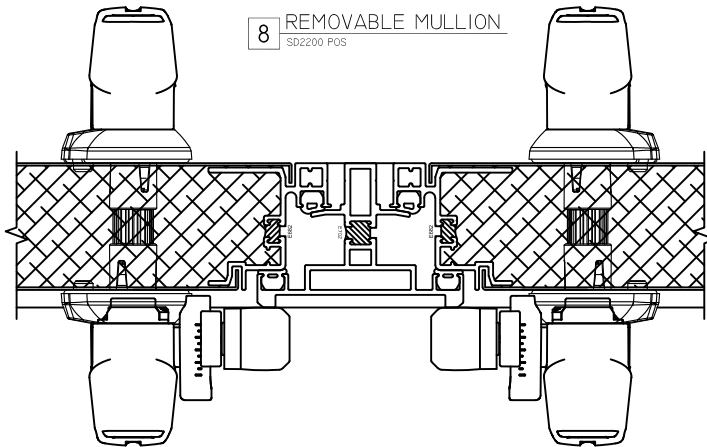
**3** HEAD  
 SD2200 POS



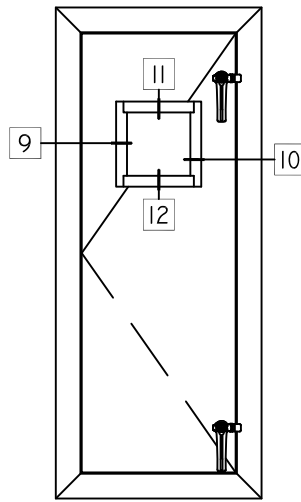
**4** SILL  
 SD2200 POS



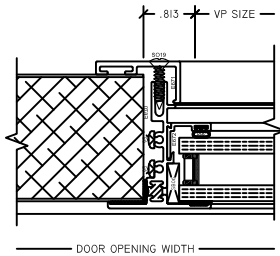
**8** REMOVABLE MULLION  
 SD2200 POS



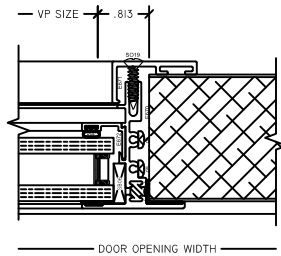
# SD2200 POSITIVE / INSWING INSULATE GLASS VIEWPORT



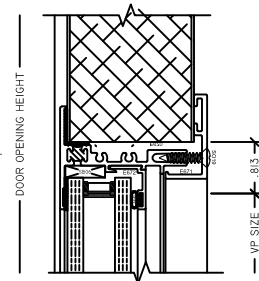
**9** VP JAMB  
 SD2200 POS



**10** VP JAMB  
 SD2200 POS



**11** VP HEAD  
 SD2200 POS



**12** VP SILL  
 SD2200 POS

