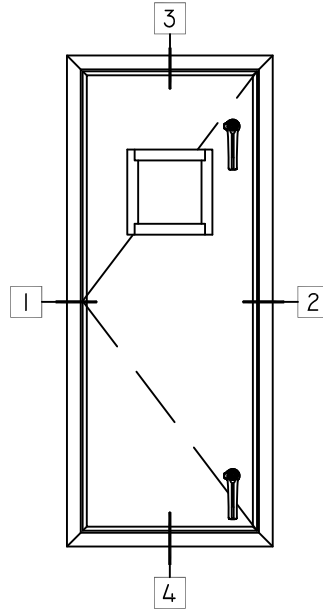




WINTECH
An Employee Owned Company

SD2200 NEGATIVE / OUTSWING

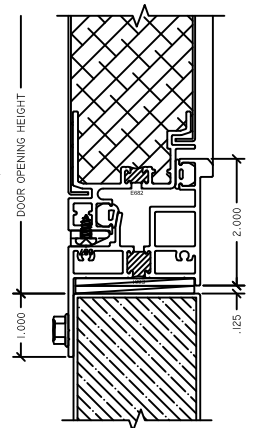
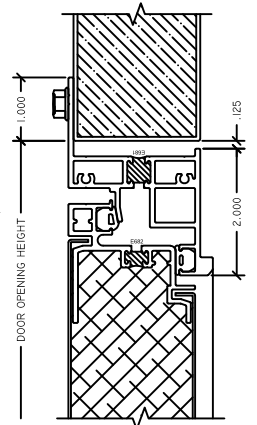
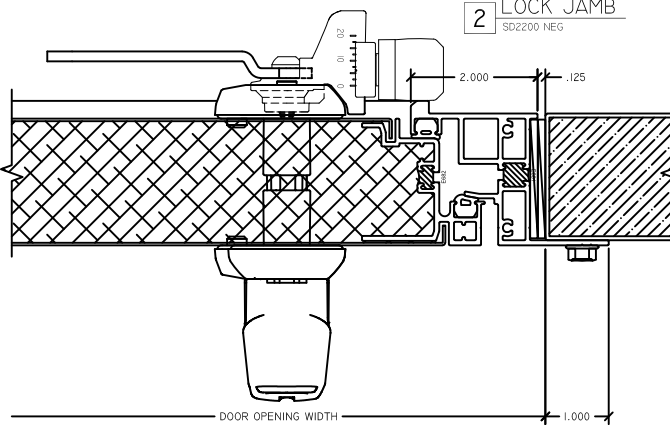
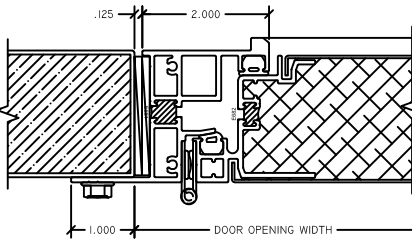


1 HINGE JAMB
SD2200 NEG

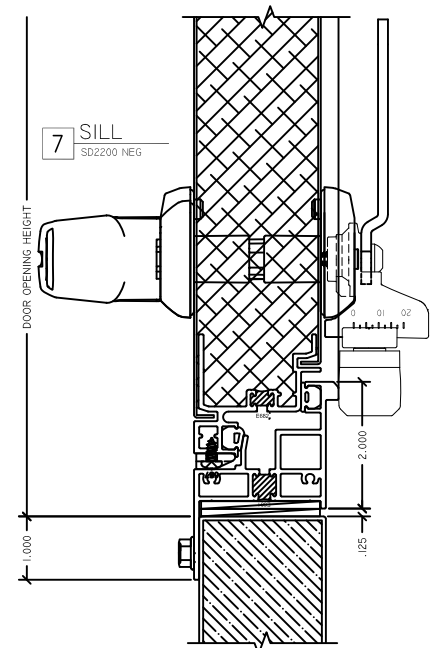
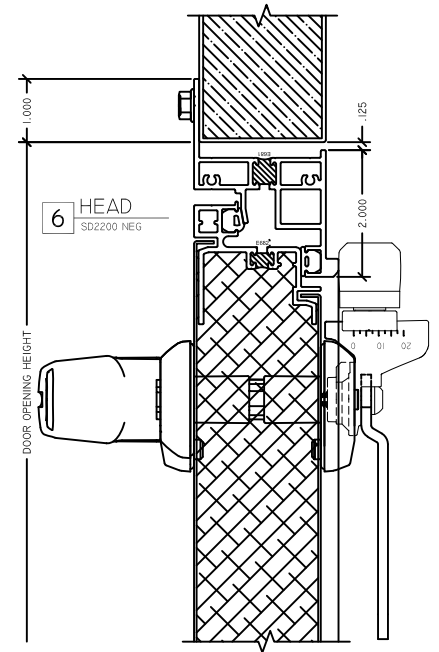
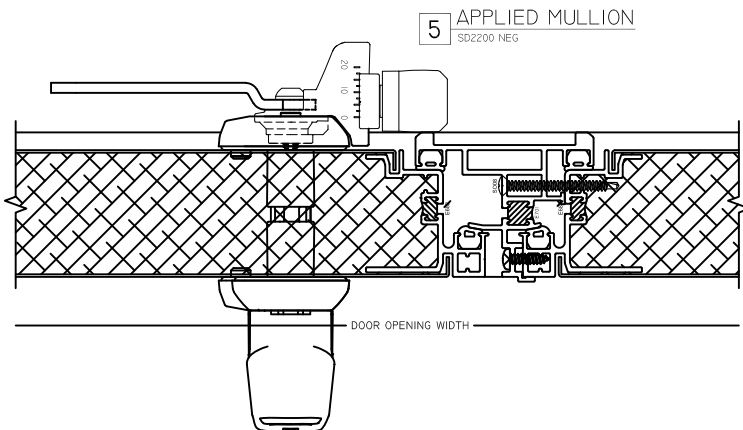
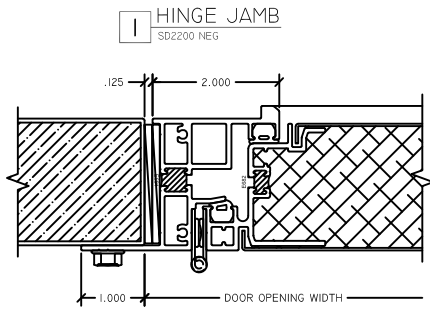
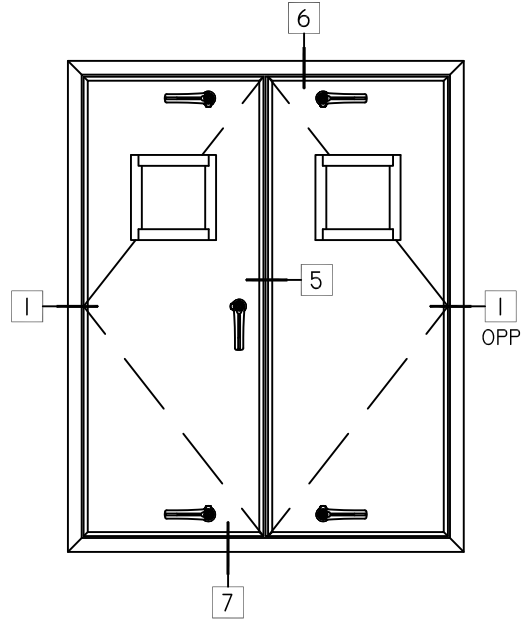
2 LOCK JAMB
SD2200 NEG

3 HEAD
SD2200 NEG

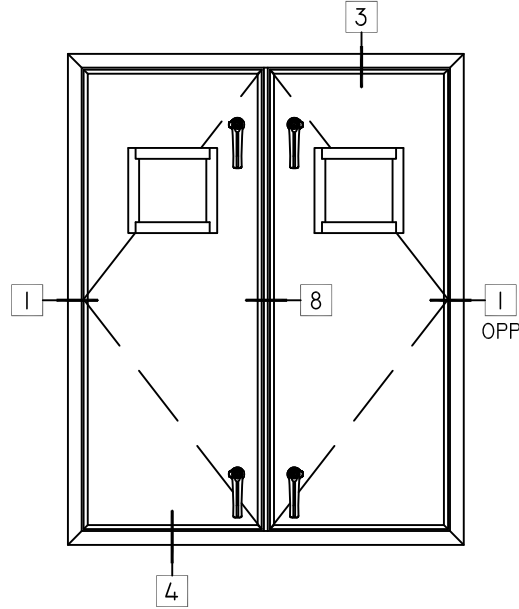
4 SILL
SD2200 NEG



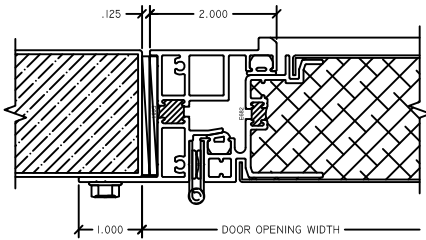
SD2200 NEGATIVE / OUTSWING TWIN WITH APPLIED MULLION



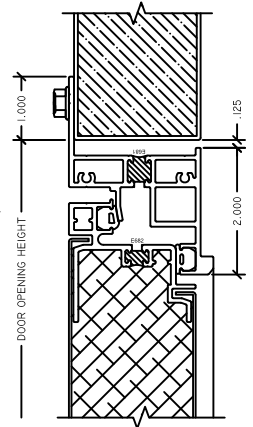
SD2200 NEGATIVE / OUTSWING TWIN WITH REMOVABLE MULLION



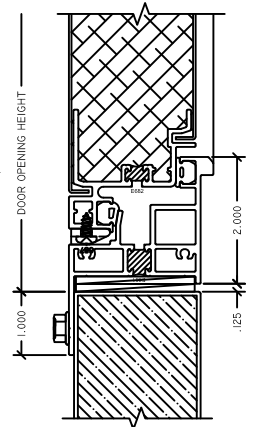
1 HINGE JAMB
 SD2200 NEG



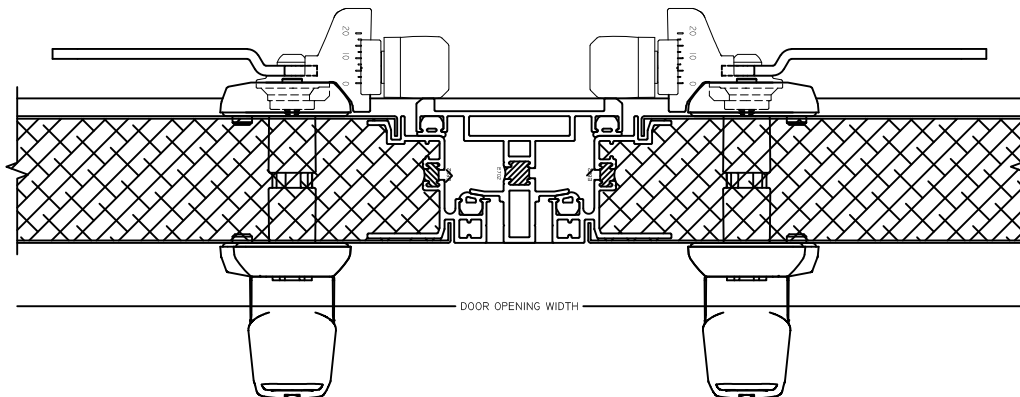
3 HEAD
 SD2200 NEG



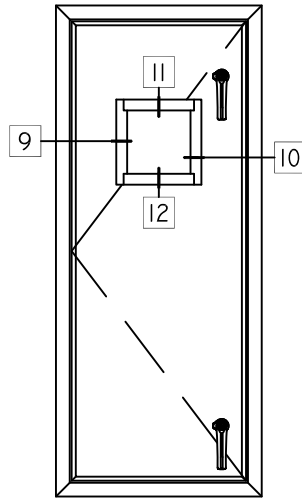
4 SILL
 SD2200 NEG



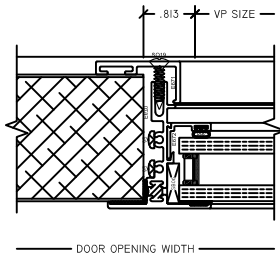
8 REMOVABLE MULLION
 SD2200 NEG



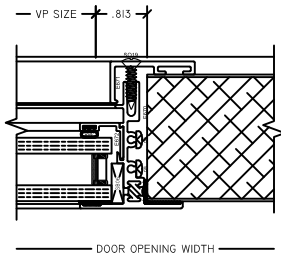
SD2200 NEGATIVE / OUTSWING INSULATE GLASS VIEWPORT



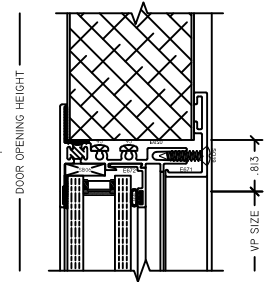
9 VP JAMB
 SD2200 NEG



10 VP JAMB
 SD2200 NEG



11 VP HEAD
 SD2200 NEG



12 VP SILL
 SD2200 NEG

