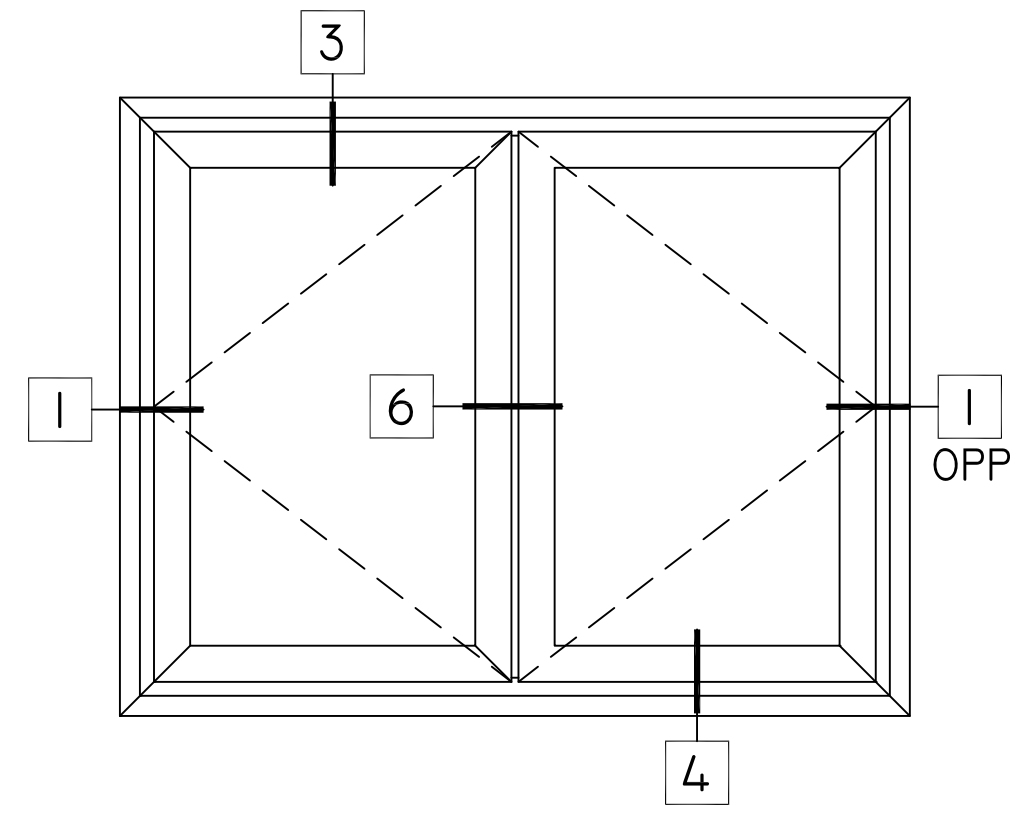
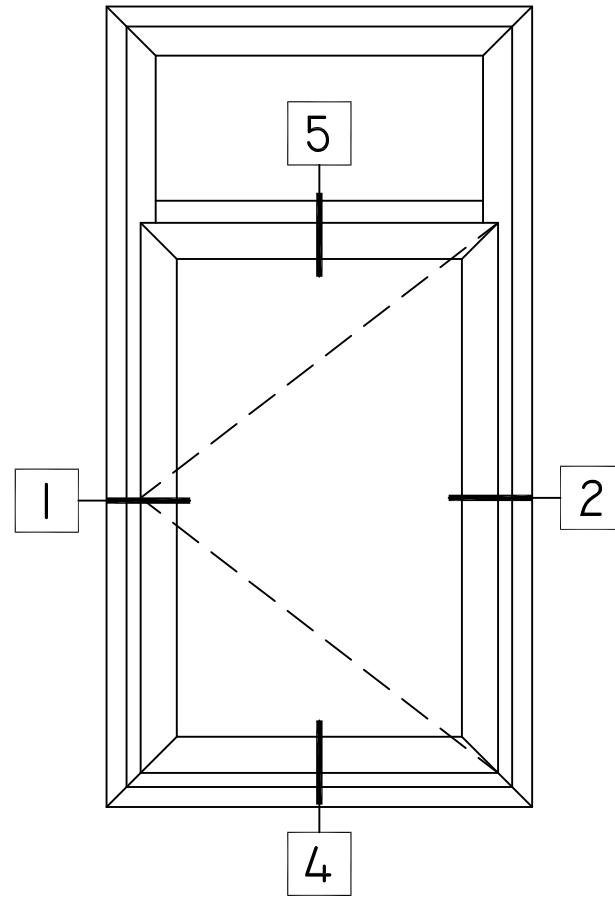
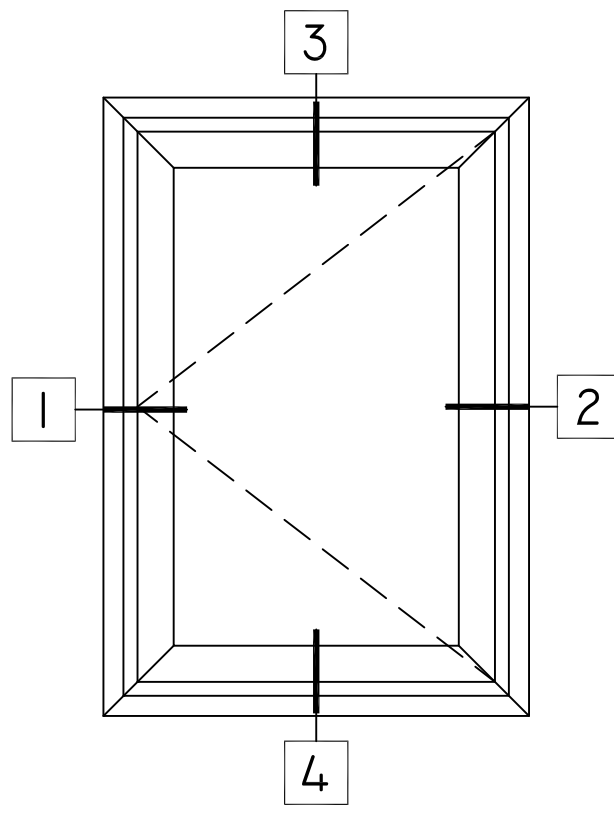




WINTECH
An Employee Owned Company

S251 OUTSWING CASEMENT



1 CO HINGE JAMB
S251 OUTSWING

2 CO LOCK JAMB
S251 OUTSWING

3 CO HEAD
S251 OUTSWING

4 CO SILL
S251 OUTSWING

6 CO-CO MTG RAIL
S251 OUTSWING

5 FX/CO MTG RAIL
S251 OUTSWING

