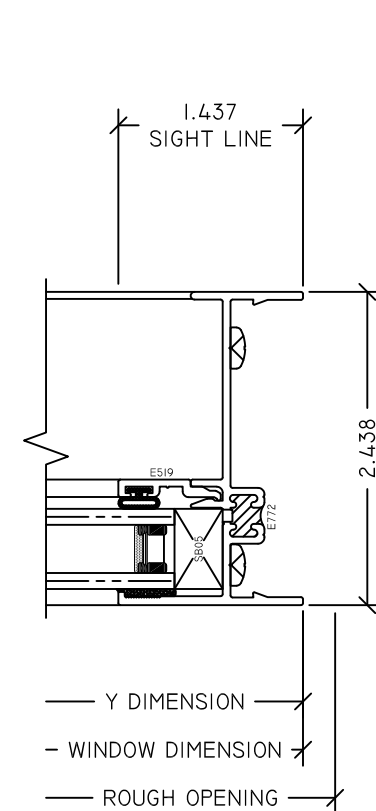
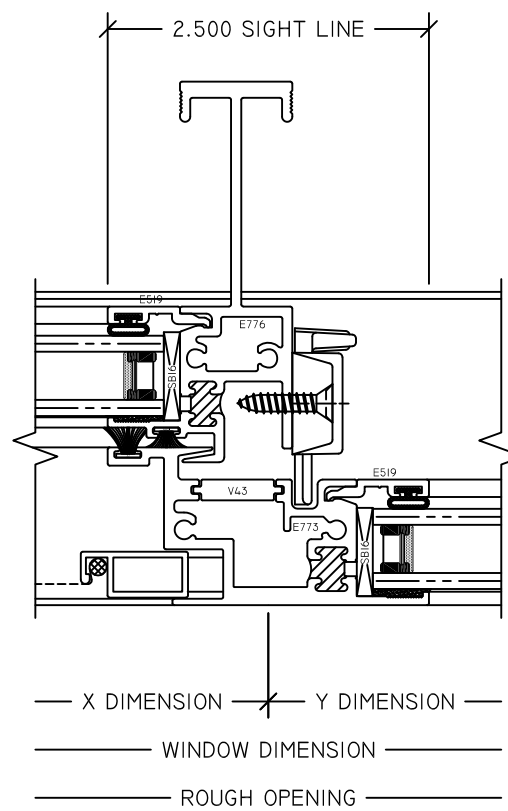
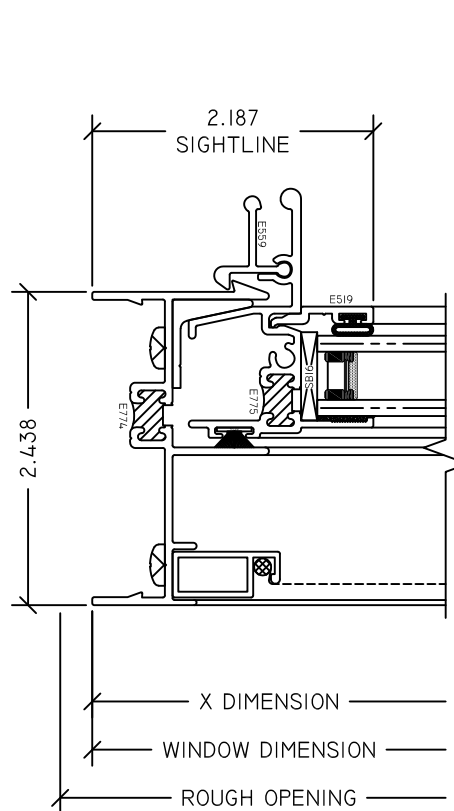
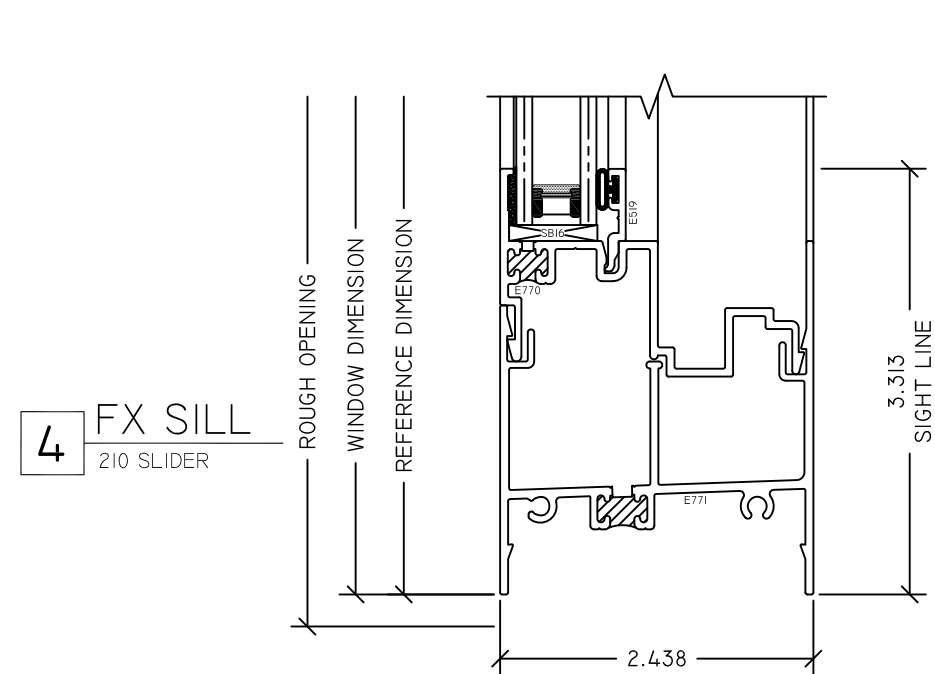
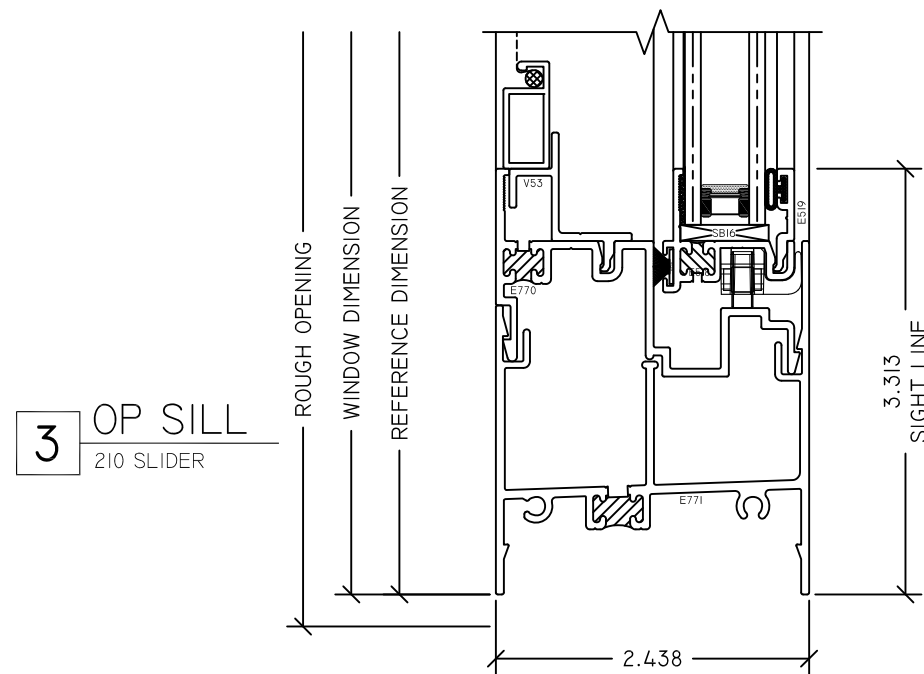
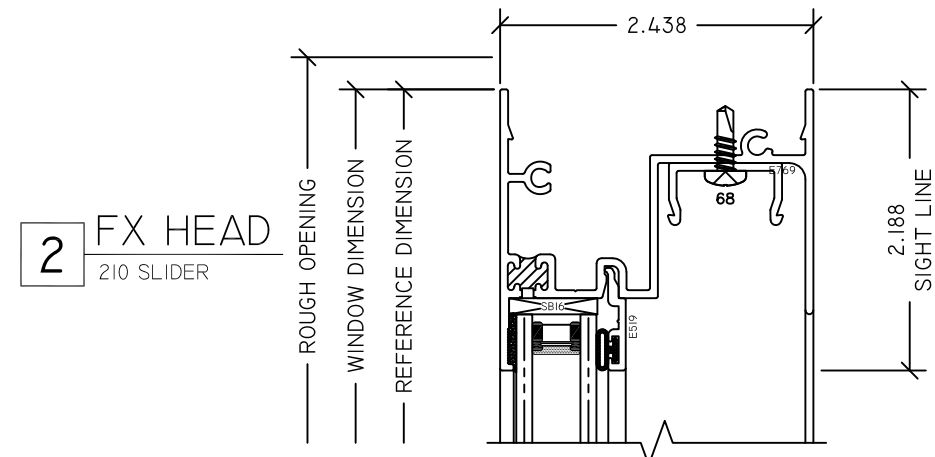
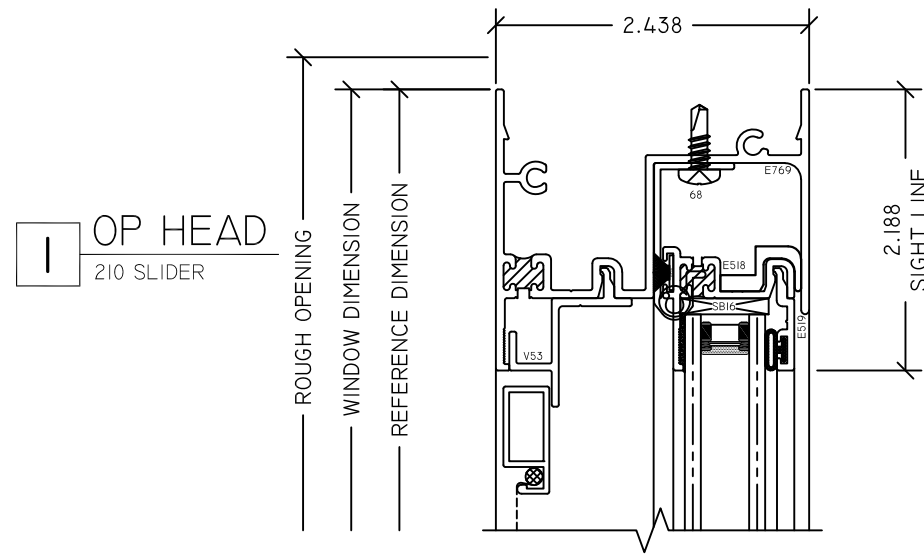
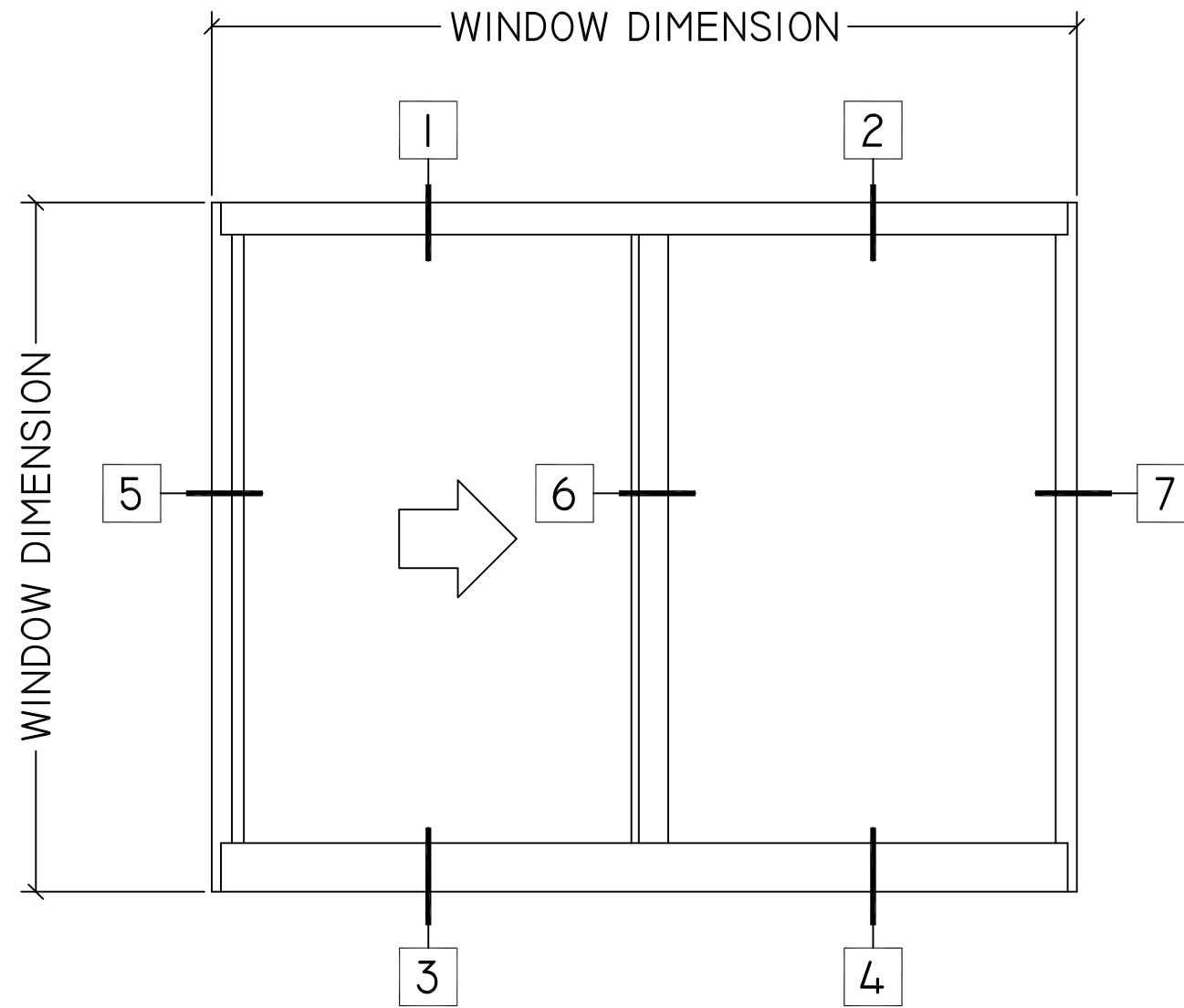




**WINTECH**  
An Employee Owned Company

# S210 XO SLIDER



5 OP JAMB  
210 SLIDER

6 XO MTG. RAIL  
210 SLIDER

7 FX JAMB  
210 SLIDER