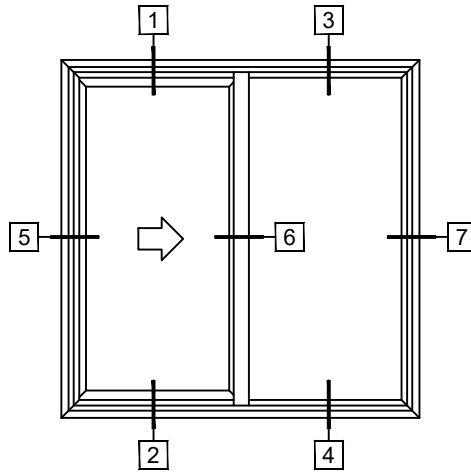


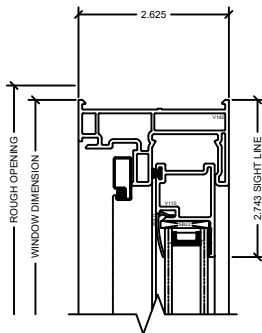


**W I N T E C H**  
An Employee Owned Company

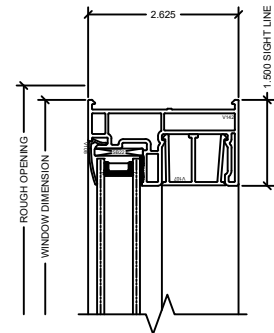
# RIDGEVIEW SLIDER



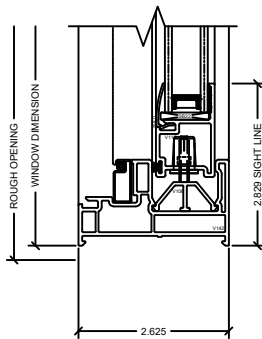
**1** OP HEAD  
RV STANDARD FIN SLIDER



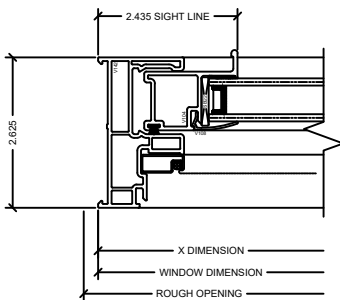
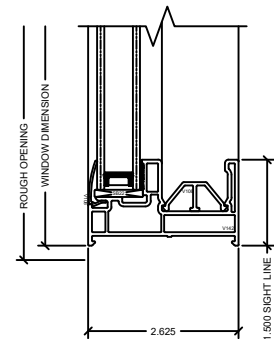
**3** FX HEAD  
RV STANDARD FIN SLIDER



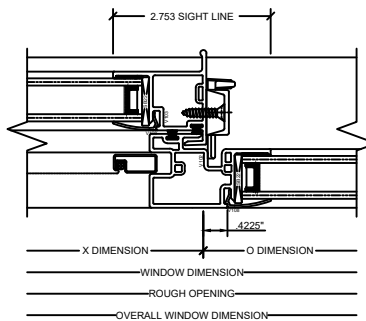
**2** OP SILL  
RV STANDARD FIN SLIDER



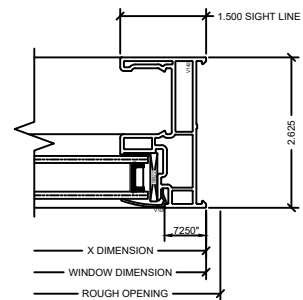
**4** FX SILL  
RV STANDARD FIN SLIDER



**5** OP JAMB  
RV STANDARD FIN SLIDER



**6** XO MTG. RAIL  
RV STANDARD FIN SLIDER



**7** FX JAMB  
RV STANDARD FIN SLIDER