

This window contains one the following factory installed head, sill and jamb fin kits:

## Architectural Fin (E538)

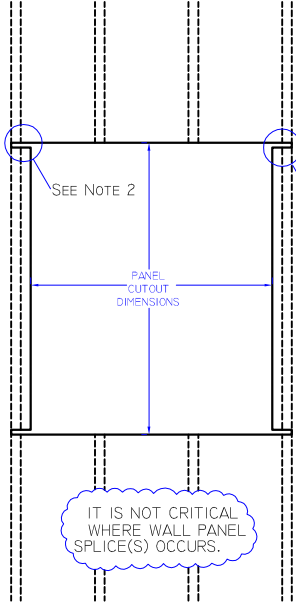
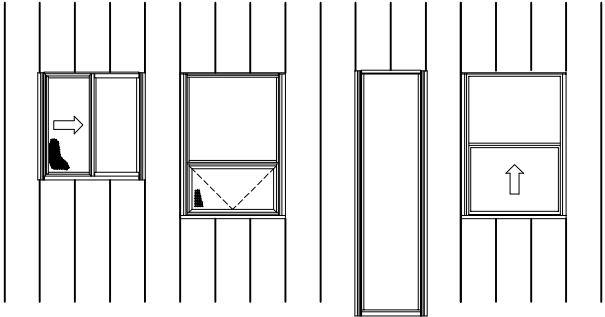
\*\*\*see separate installation instructions for windows with **Universal** or **Regular** fins\*\*\*

- The following instructions apply to the **horizontal slider, fixed, single hung and all projected window configurations**.
- The window system is designed to be **installed from the outside of the building** after the building has been skinned with wall panel. **The jamb fins install on the outside of the wall panel.**

Installation steps:

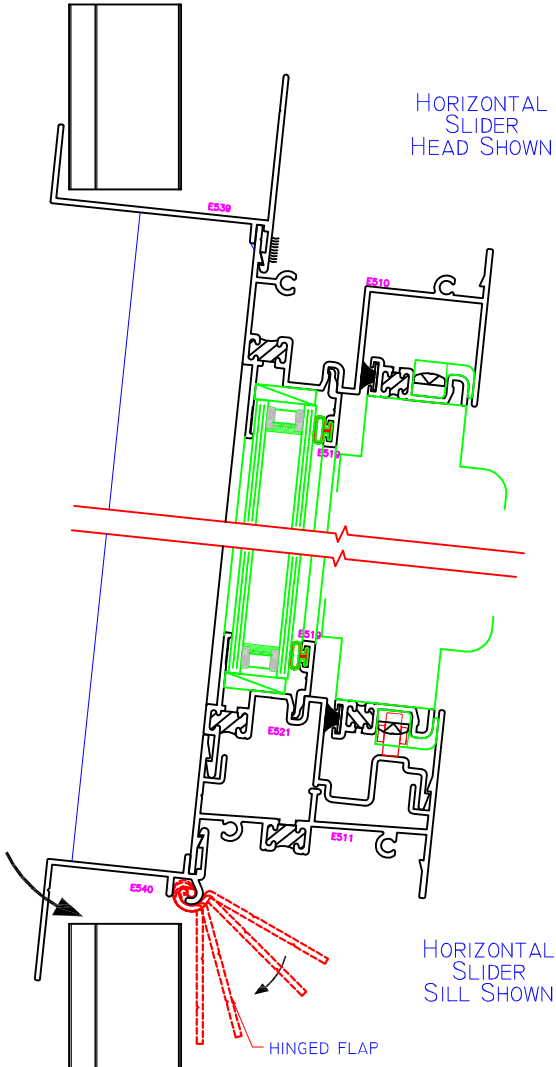
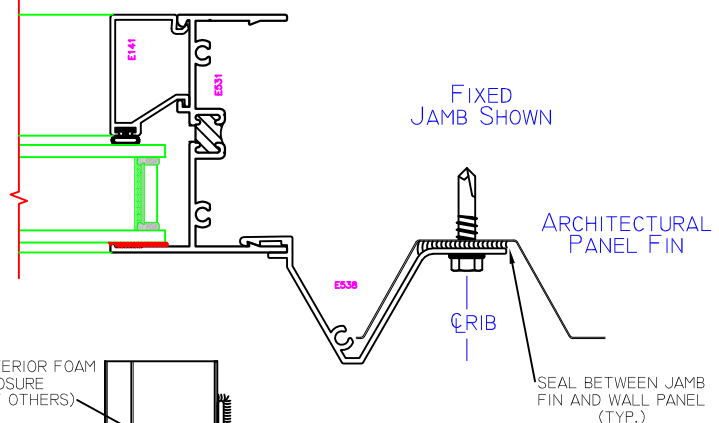
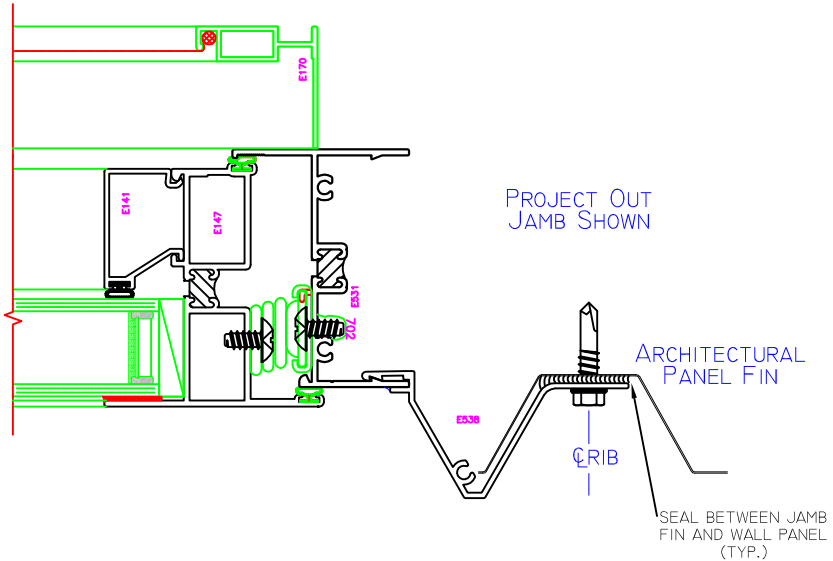
1. Select the location for the window and cut out the wall panel to the required rough opening size. The formula for the **recommended** panel cut-out dimensions is as follows: **(nominal window with - 3 1/4") X (nominal window height - 1 1/4")**. For example, a 2030 would have a cut out size of (24" - 3 1/4" = 20 3/4") X (36" - 1 1/4" = 34 3/4"). Note that these are recommended dimensions. Reducing or enlarging the cut out opening slightly may be necessary to make the window fit properly in the job specific panel. The **Architectural Fin** is designed to be installed **only on the rib** of the **architectural** wall panel. **The Architectural Fin can, however, be installed on the flat of a regular wall panel.**
2. Field notching of the wall panel at all four corners will be necessary to allow the **Architectural Fins** to fit up flush against the wall panel when the installation is complete. These notches are easily sealed after the window is in place. Alternatively, the aluminum head fin can be cut to fit the panel rib profile. This avoids the need to notch the wall panel.
3. Install the window from the **outside** of the building. Begin by tucking the vertical leg of the window head fin behind the wall panel; hinge the sill flap up; raise the window so the wall panel is tight against the head fin; and then push the window sill in over the panel at the bottom. Drop the sill fin back into place. The jamb fins will be on the **outside** of the wall panel. **Sealant is required between the wall panel rib and the window jamb fins and should be applied to the back side of the jamb fins before the window is installed. Water can not be permitted to penetrate behind the jamb fins.**
4. **Raise the window up as high as possible in the wall panel opening before fastening. This provides a small joint to seal at the head.** For the time being, fasten the window to the wall panel with one screw in each jamb fin.
5. Place the wall panel manufacturer's interior closure (by others) between the inside of the wall panel and the head fin at the top of the window, and the exterior foam closure between the outside of the wall panel and the exterior leg of the window sill. The foam closures control air infiltration, especially at the sill, and provide a caulk stop for the window sealant. **At the ends of the window sill, provide sealant between the interior side of the foam closure and the exterior of the hinged flap and between the top of the foam closure and the bottom of the sill fin to prevent water from migrating under the window sill fin from each end.**
6. Secure the window to the wall panel on all four sides with self tapping wall panel screws (by others). Use rubber washered TEKs or seal fastener heads accordingly. **Screws are put in from the outside of the building on the window head and jambs and from the inside at the sill.** The screws at the head and sill also hold the foam wall panel closures in place.
7. **Caulk the full width of the wall panel across the top of the window. Water can not be permitted to get behind the wall panel at the head of the window or it may leak to the inside of the building.**
8. **Sealant must also be placed on the inside of the wall panel between the ends of the head fin and the wall panel, and sealant applied over the interior side of the wall panel notches cut in 2. above. This provides a secondary seal against the possibility of the head fin and head corners leaking.**
9. **Do not forget that sealant must be installed between the wall panel rib and the window jamb fins as mentioned in step 3. above. Apply the sealant to the back side of the jamb fins before the window is installed.**

**Any questions? Call WinTech at 417-235-7821, Monday through Friday, 8am to 5pm CST.**

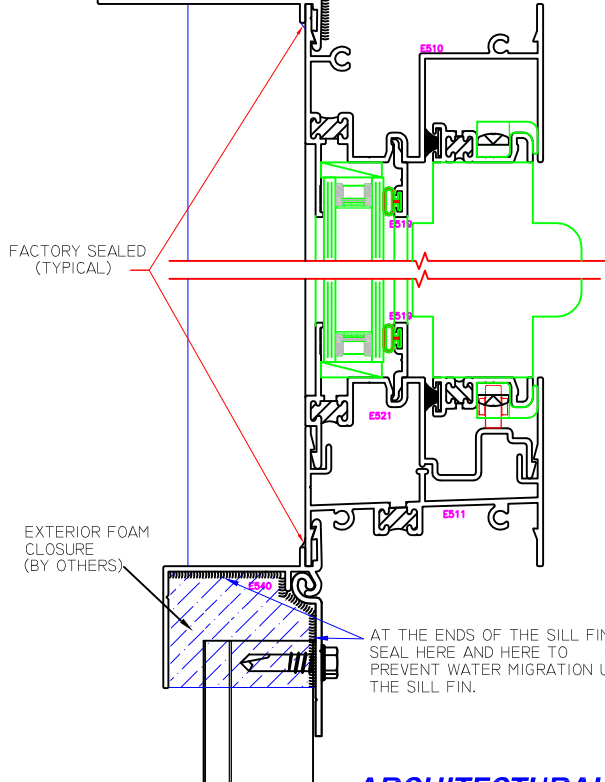


APPLY SEALANT ON THE INTERIOR SIDE OF THE WALL PANEL NOTCHES (SEE NOTE 8)

IT IS NOT CRITICAL WHERE WALL PANEL SPLICE(S) OCCURS.



INTERIOR FOAM CLOSURE (BY OTHERS)  
EXTERIOR FIELD SEALING REQ'D. ACROSS HEAD  
SEAL BETWEEN ENDS OF HEAD FIN AND WALL PANEL ON INSIDE OF BUILDING



**ARCHITECTURAL FIN SYSTEM**