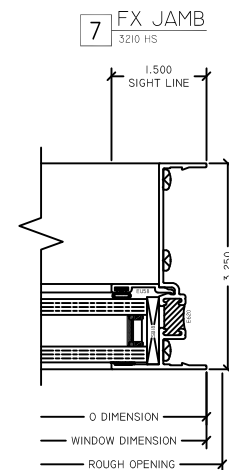
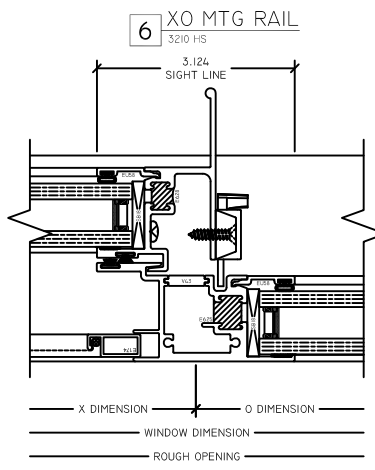
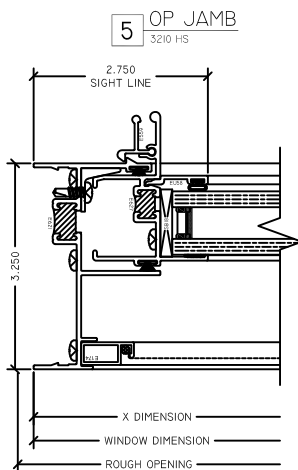
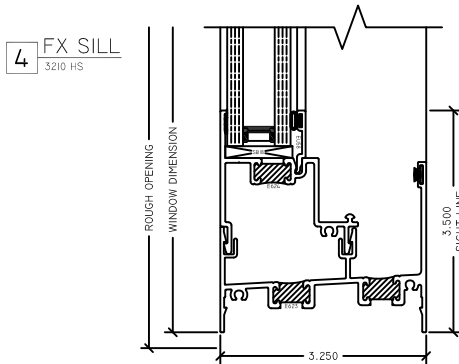
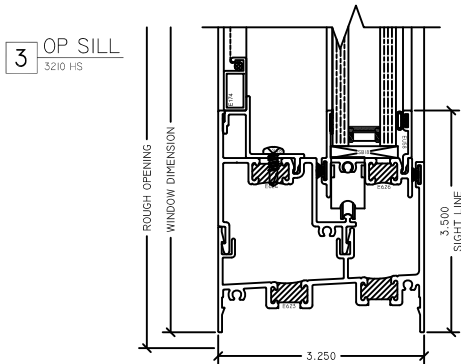
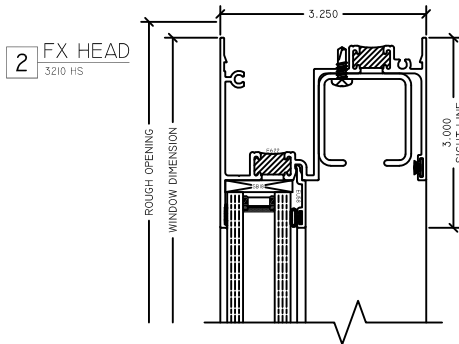
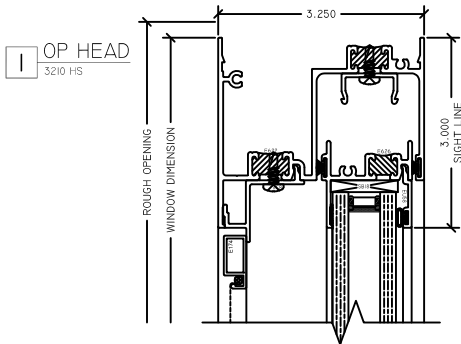
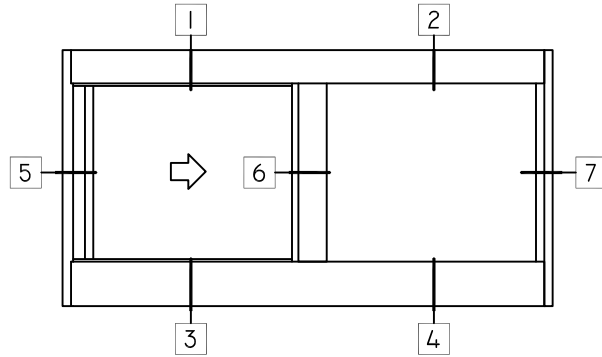




WINTECH  
An Employee Owned Company

# 3210 XO SLIDER - 7.5 LB SILL





**WINTECH**  
An Employee Owned Company

# 3210 XO SLIDER - 10 LB SILL

