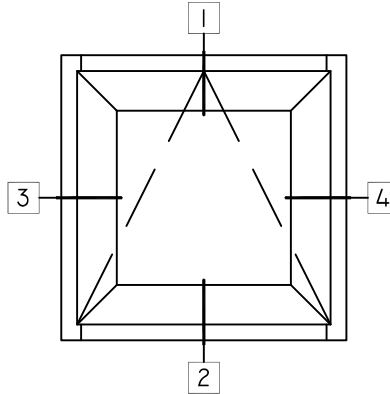


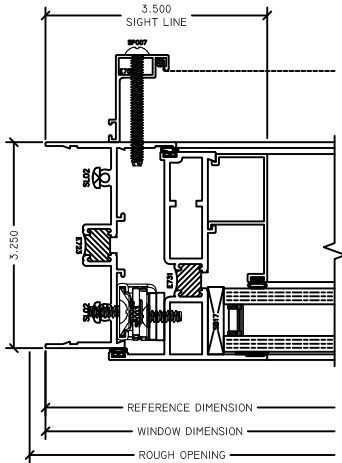
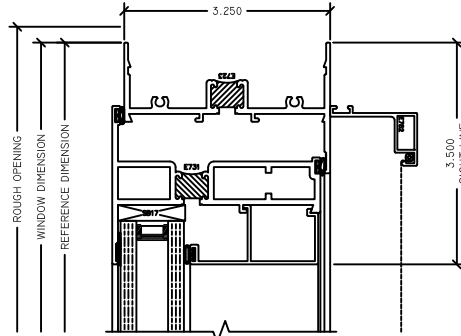


**WINTECH**  
An Employee Owned Company

# 320 PROJECT OUT

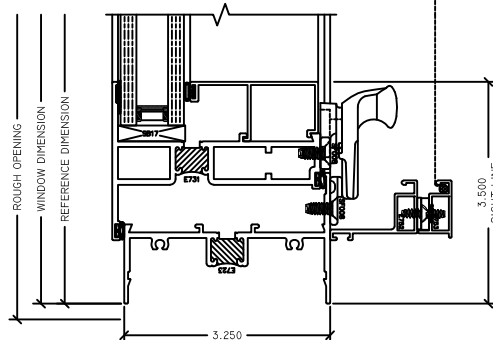


**1** PO HEAD  
320 PO



**3** PO LJAMB  
320 PO

**2** PO SILL  
320 PO



**4** PO RJAMB  
320 PO

