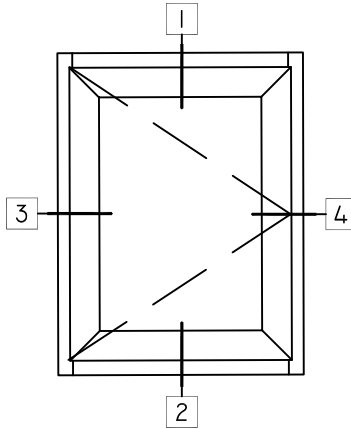


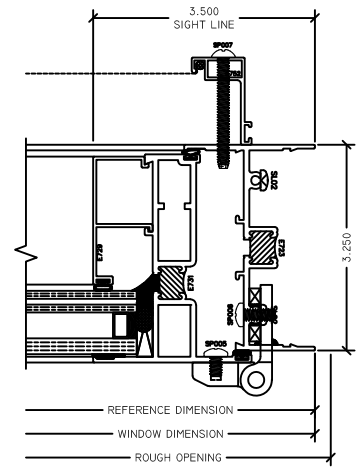
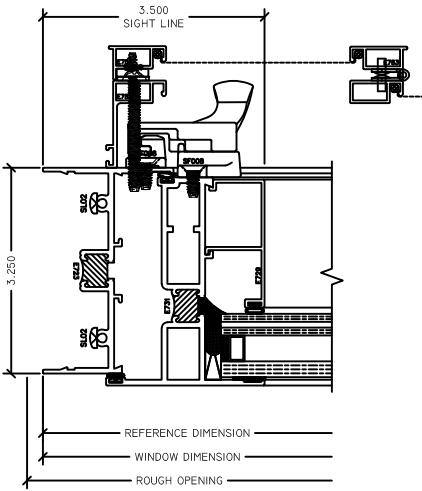
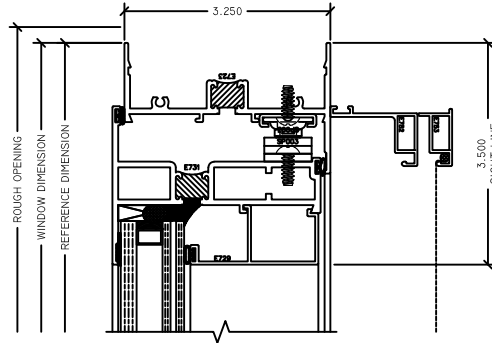


**WINTECH**  
An Employee Owned Company

# 3201 OUTSWING CASEMENT



**1 CASEMENT OUTSWING HEAD**  
3201 COR



**3 CASEMENT OUTSWING LJAMB**  
3201 COR

**4 CASEMENT OUTSWING RJAMB**  
3201 COR

**2 CASEMENT OUTSWING SILL**  
3201 COR

