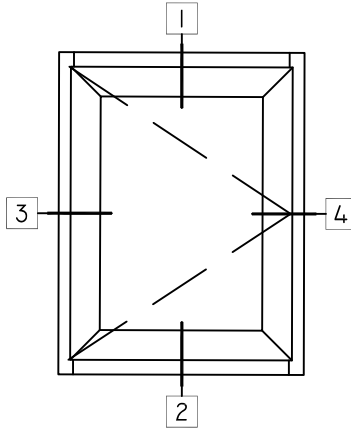


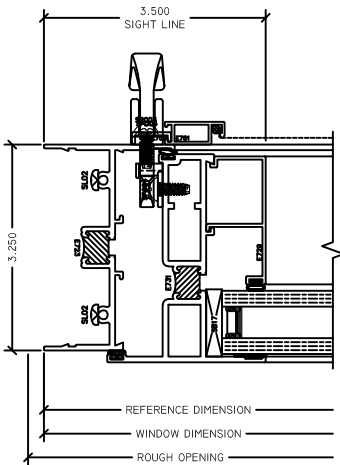
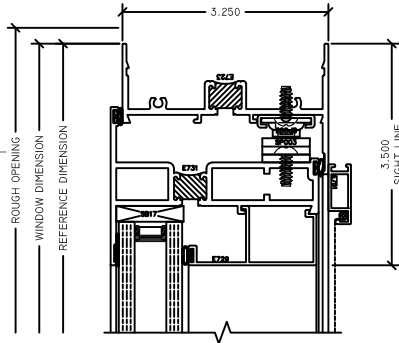


WINTECH
An Employee Owned Company

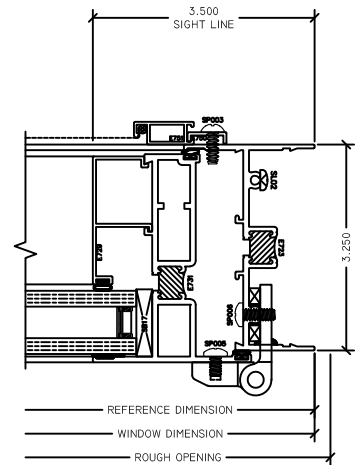
320 OUTSWING CASEMENT - ROTO



1 CASEMENT OUTSWING HEAD
320 COR



3 CASEMENT OUTSWING LJAMB
320 COR



4 CASEMENT OUTSWING RJAMB
320 COR

2 CASEMENT OUTSWING SILL
320 COR

