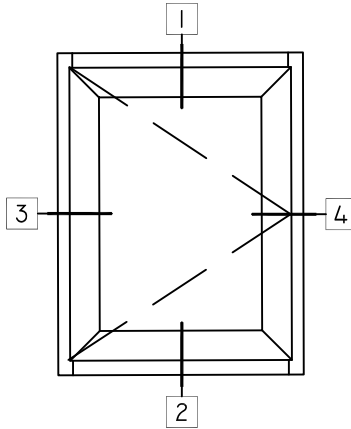


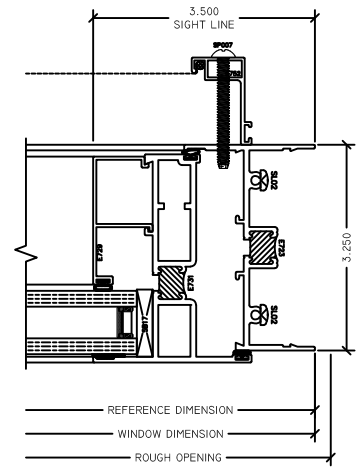
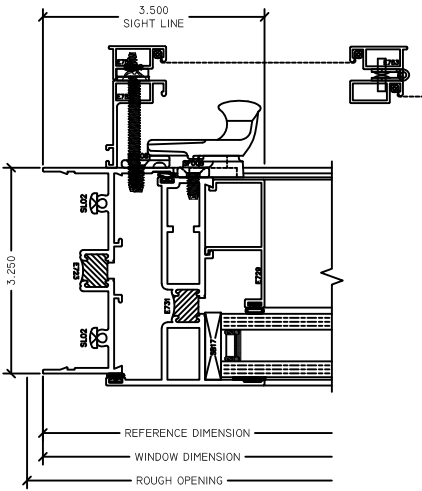
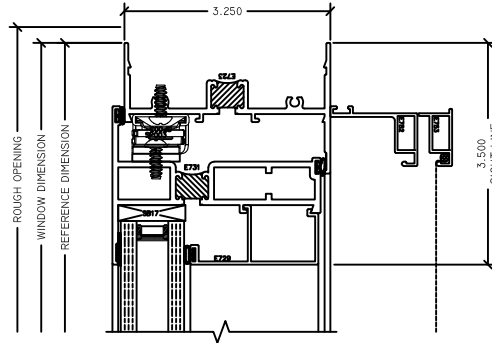


WINTECH
An Employee Owned Company

320 OUTSWING CASEMENT



1 CASEMENT OUTSWING HEAD
320 COL



3 CASEMENT OUTSWING LJAMB
320 COL

4 CASEMENT OUTSWING RJAMB
320 COL

2 CASEMENT OUTSWING SILL
320 COL

