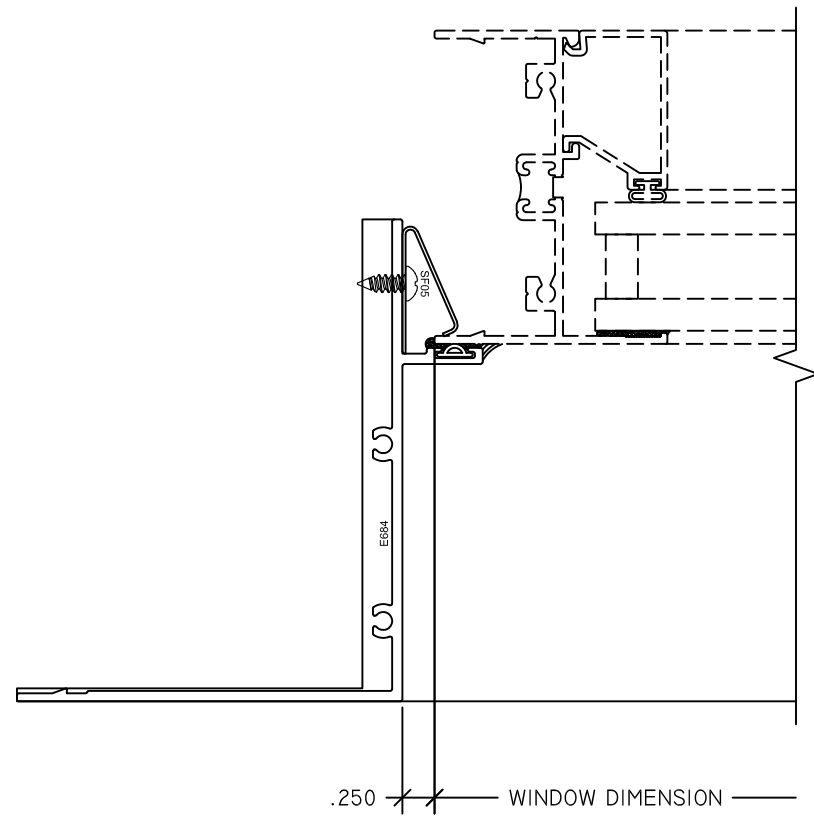
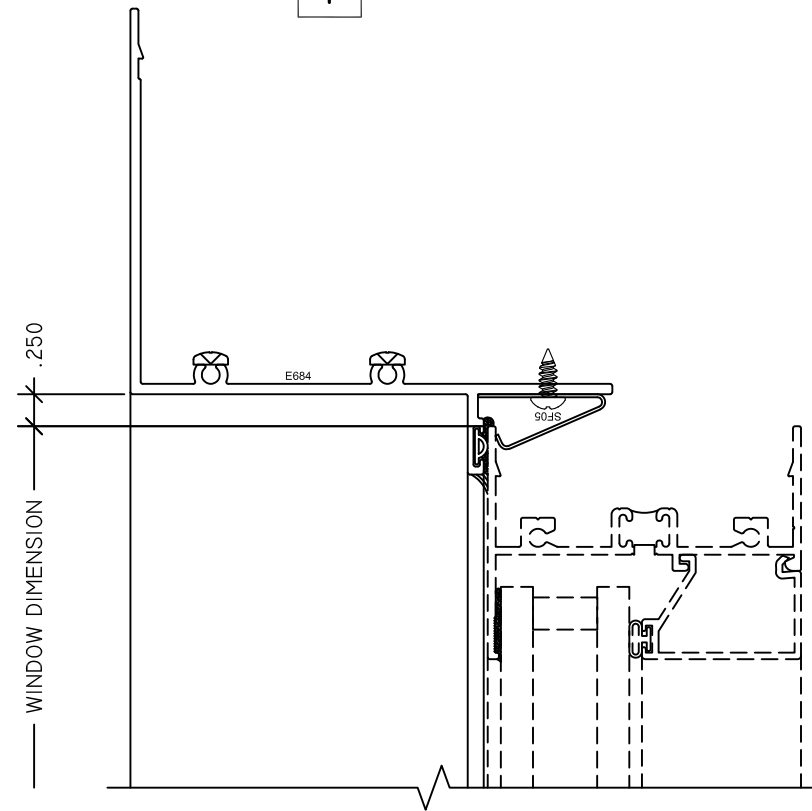
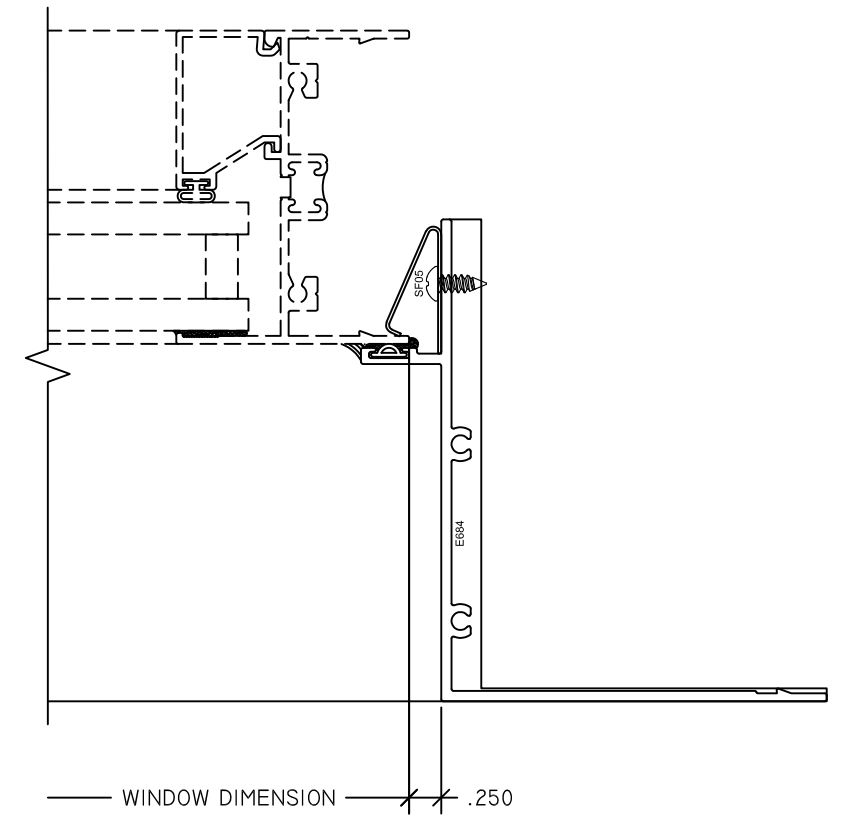


S250 - SQUARE PANNING

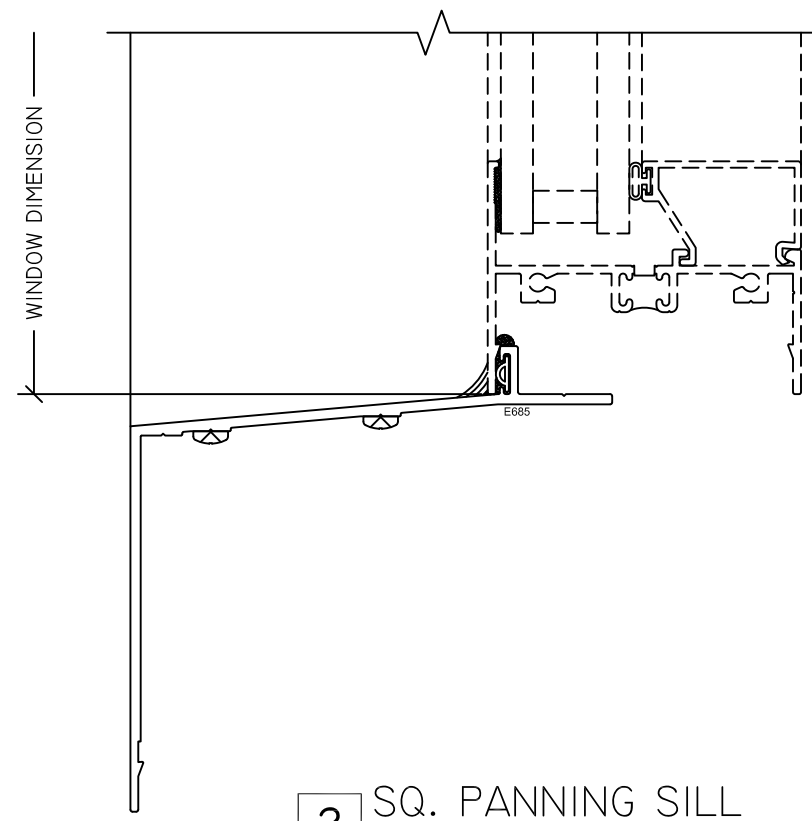
1 SQ. PANNING HEAD



3 SQ. PANNING LEFT JAMB



4 SQ. PANNING RIGHT JAMB



2 SQ. PANNING SILL