



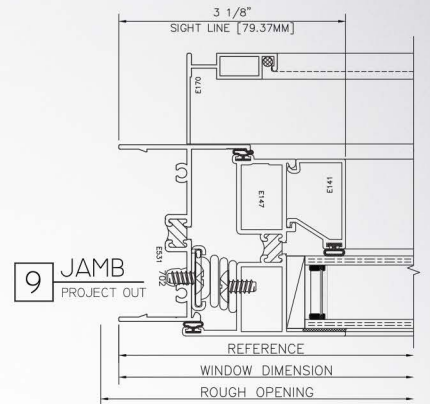
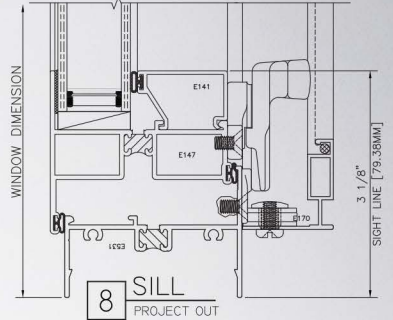
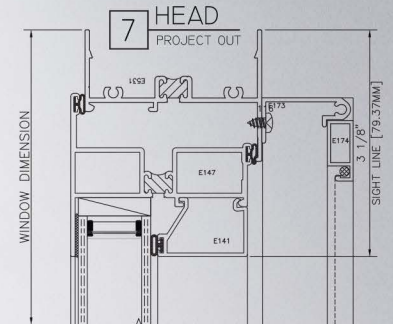
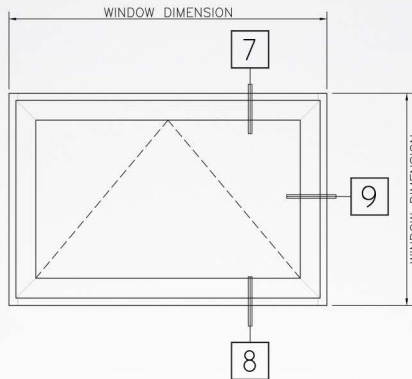
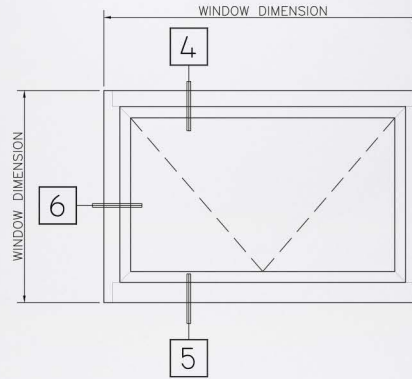
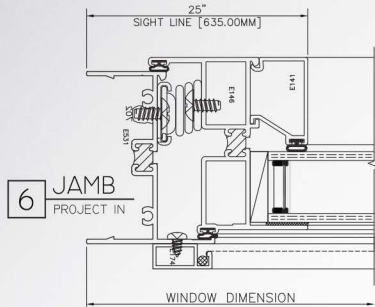
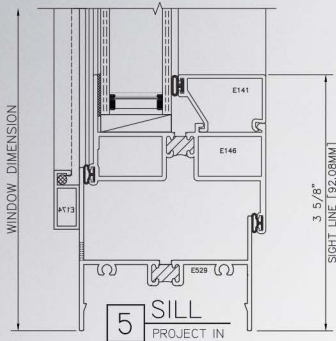
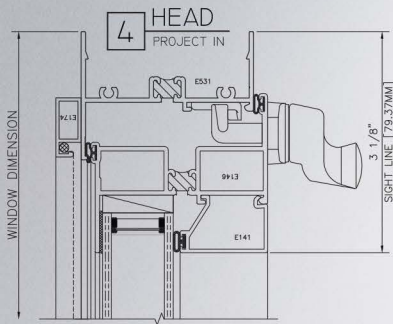
WINTECH
An Employee Owned Company

SERIES 220

PROJECTED WINDOW

WinTech's Series 220 aluminum projected window is a 2 1/2" thermally broken frame depth system. The Series 220 is offered in both awning (project out) and hopper (project in) styles and is AAMA tested with ratings of CW60 or better. With multiple glazing options, finish options, and installation accessories, the Series 220 is perfect for many architectural needs, including schools, universities, hospitals, and office spaces. When you need a great performing window and must stay in your budget, look no further. The Series 220 is the answer.





Glazing Options

- Maximum Glazing Pocket 5/8"
- Single Glazing Option

Finish Capabilities

- Clear and Dark Bronze Anodized
 - Additional anodize options available upon request
- AAMA 2603, 2604, and 2605 Painted
 - Custom color match available upon request

Structural Test

Product Type	Test Protocol	Product Designation	Test Size	Design Pressure	Structural Test Pressure	Air Infiltration	Water Resistance Test Pressure
FX/PO/FX/PI	AAMA 11	CW - PG60	48x128	60 psf	90 psf	> 0.01	15 psf