

WINTECH

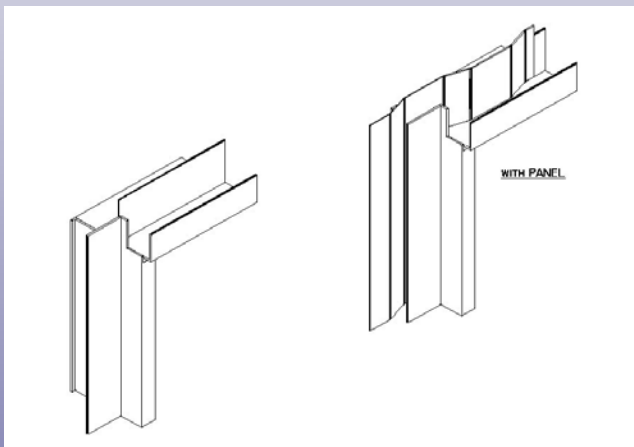
WINDOWS

Presenting the M Series Window For Modular Office Applications

Featuring the New Self Flashing Head Design (patent pending)

Which provides a more reliable flashing and sealing detail in the battle against Water Intrusion.

The M Series is used for both new construction and refurbishment with the same ease of window installation and more reliable water shedding ability than any other modular window on the market



M225 ALUMINIUM WINDOW DESIGN

patent pending

**M225 window for use in
.019 metal siding**

M70 VINYL WINDOW DESIGN

patent pending

**M70 window for use in
7/16" LP siding**

