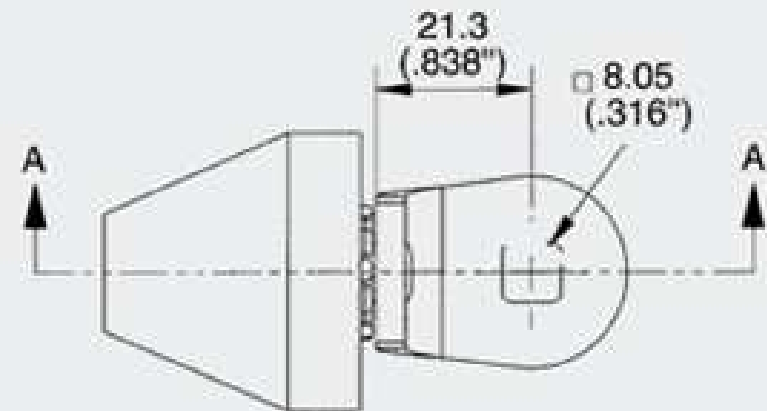
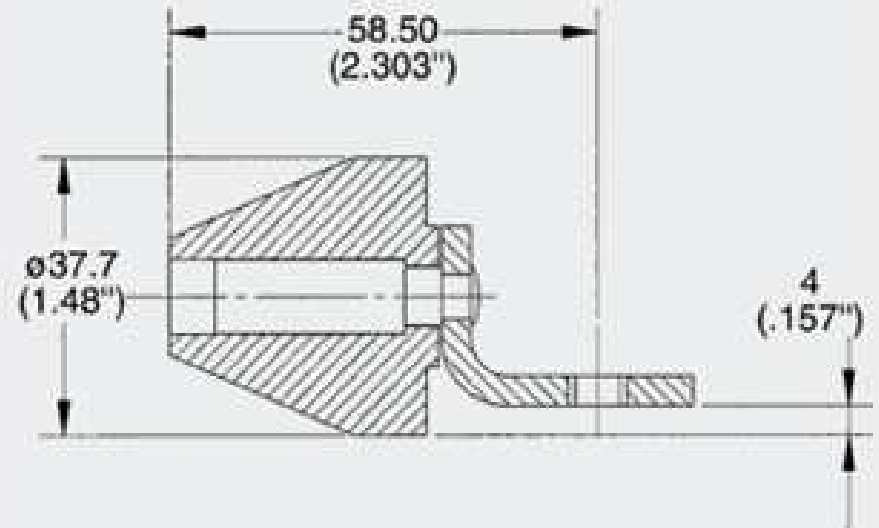


Single Point Roller Cams



2321S07-R01 (Large) 2321S07-R01-VTS (Snub Nose)

- Steel construction
- 58.50 mm long
- 37.70 mm diameter tapered black PA6 nylon roller
- Temperature Range - 40 degree F - 270 degree F
- Zinc finish
- For use with HVAC latching systems
- Large model pictured



[View Larger Image](#)

Add product to quote request list (To add to quote request list, please enter a quantity and part number)

Quantity:

Part Number:

2321S07-R01



[Add to Quote List](#)