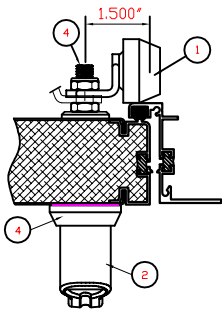


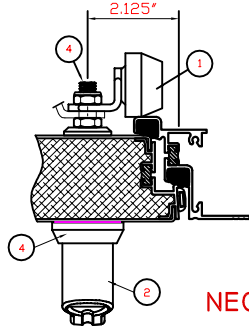
WINTech SUPPLIED ALLEGIS HARDWARE: PREP AND PARTS LIST

1 1/2" - 2" DOOR
1 GASKET



KIT PART #	
STD.	9702
KEYED	9706
TOOL	9710

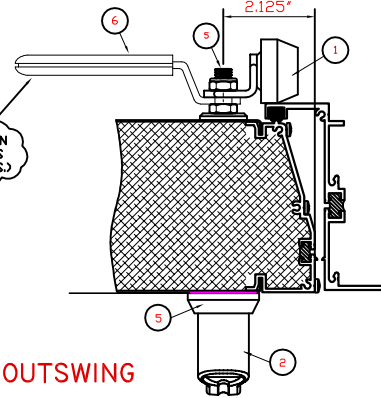
1 1/2" - 2" DOOR
2 GASKET



KIT PART #	
STD.	9702
KEYED	9706
TOOL	9710

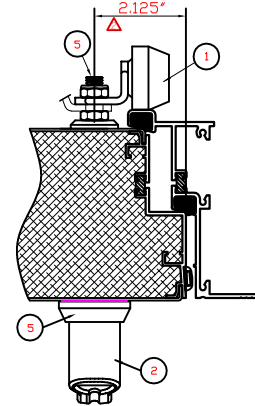
TYPICAL ON
ALL DOORS
(NEG. & POS.)

4" DOOR
1 GASKET



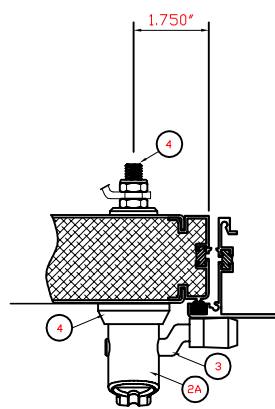
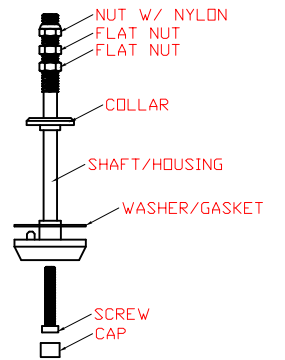
KIT PART #	
STD.	9703
KEYED	9707
TOOL	9711

4" DOOR
2 GASKET

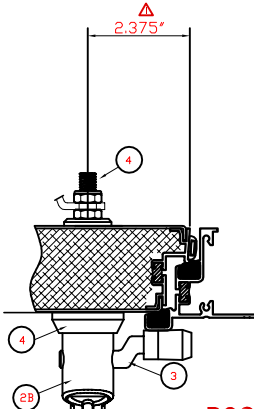


KIT PART #	
STD.	9703
KEYED	9707
TOOL	9711

NEGATIVE / OUTSWING

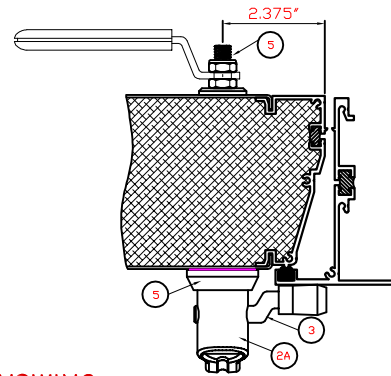


KIT PART #	
STD.	9704A
KEYED	9708A
TOOL	9712A

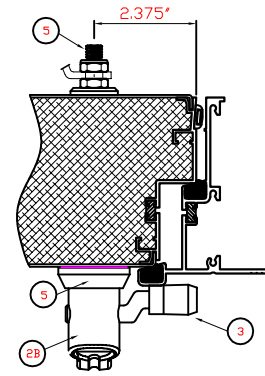


KIT PART #	
STD.	9704B
KEYED	9708B
TOOL	9712B

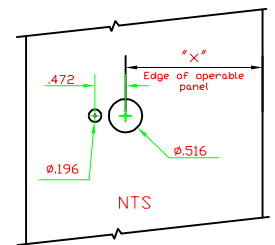
POSITIVE / INSWING



KIT PART #	
STD.	9705C
KEYED	9709C
TOOL	9713C



KIT PART #	
STD.	9705B
KEYED	9709B
TOOL	9713B



CLEAR HOLE LOCATION

#	DESCRIPTION	PART#		
		STD.	KEYED	TOOL
1	KLIMAFLEX SNUB-NOSE ROLLER	932	932	932
2	OUTSWING HANDLE (NON-LOCKING)	933	937	938
2A	INSWING HANDLE (@ 1 GASKET DOOR)	933A	937A	938A
2B	INSWING HANDLE (@ 2 GASKET DOOR)	933B	937B	938B
3	INSWING BENT PAWL WITH ROLLER	934	934	934
4	2" HOUSING / SHAFT / NUTS / WASHERS	935	935	935
5	4" HOUSING / SHAFT / NUTS / WASHERS	936	936	936
6	INTERIOR RED HANDLE	50RD	50RD	50RD

Revisions		DATE	BY
▲	REVISED FROM 2 1/8" TO 2 3/8"		
▲	REVISED FROM 2 3/8" TO 2 1/8"	6/3/11	

WINTech MONETT, MISSOURI	
TITLE	ALLEGIS HARDWARE
DRN	G.W.A. DATE 7-5-11
CHECKED	
SCALE	NONE