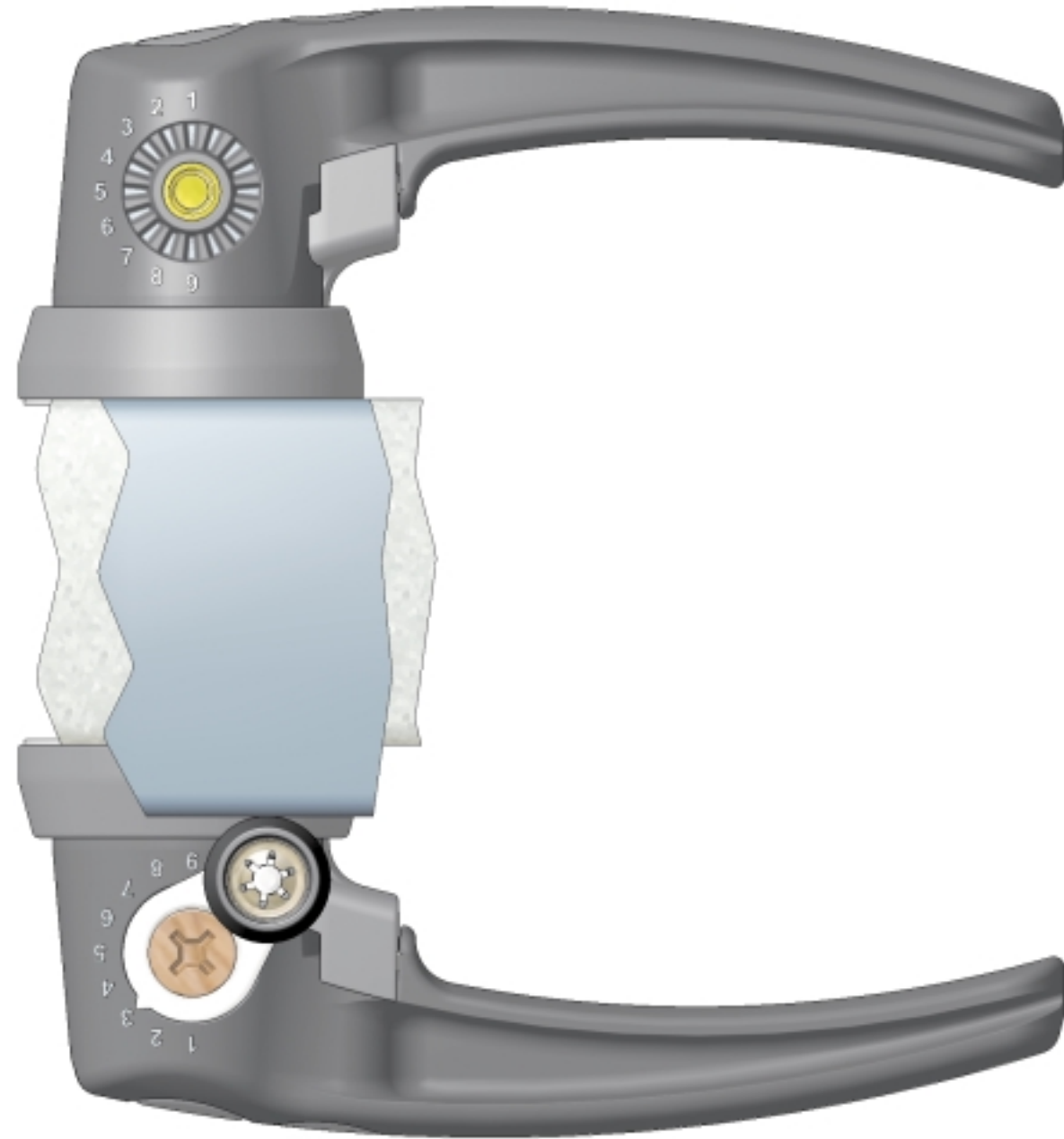


VENTFABRICS
INCORPORATED



#350 LATCH

UNIVERSAL MOUNTING

FEWER PARTS

QUICK INSTALLATION

REDUCED DAMAGE

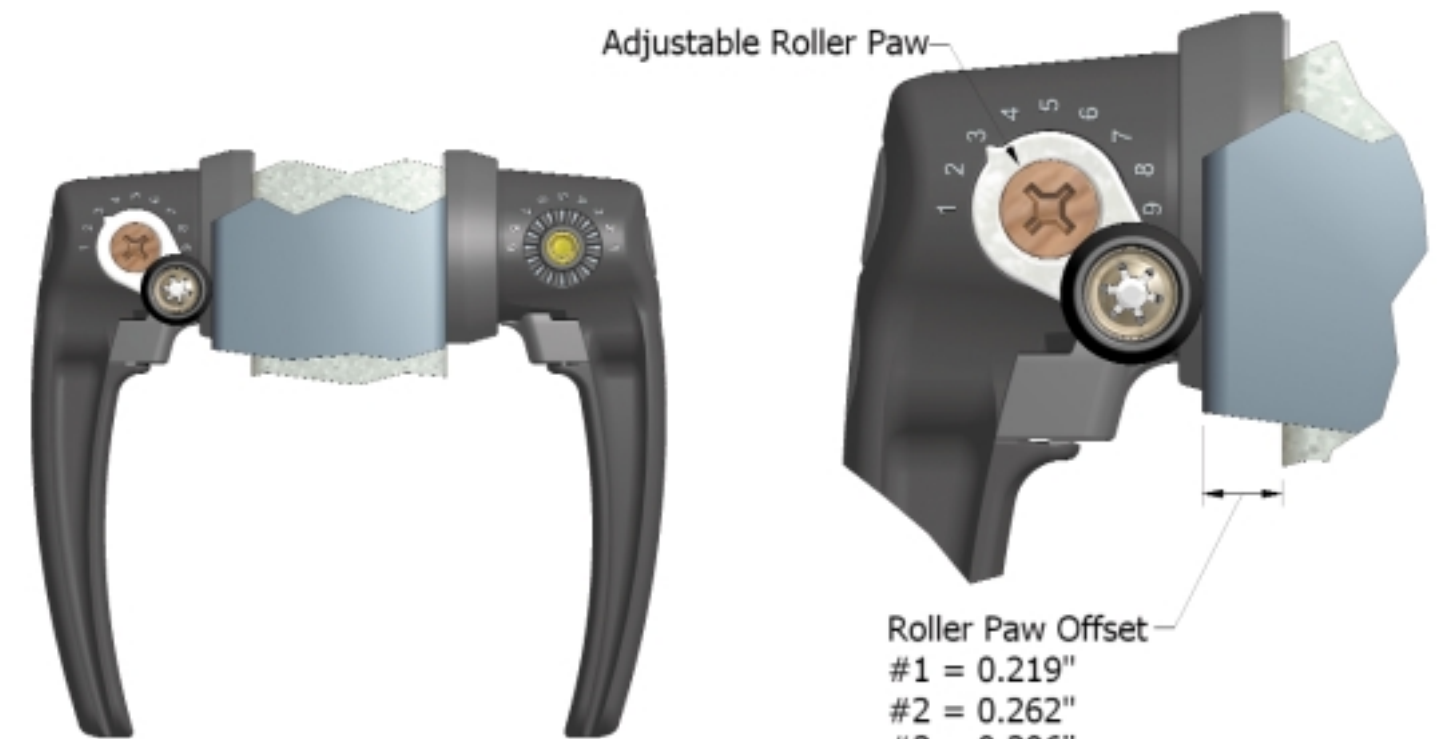
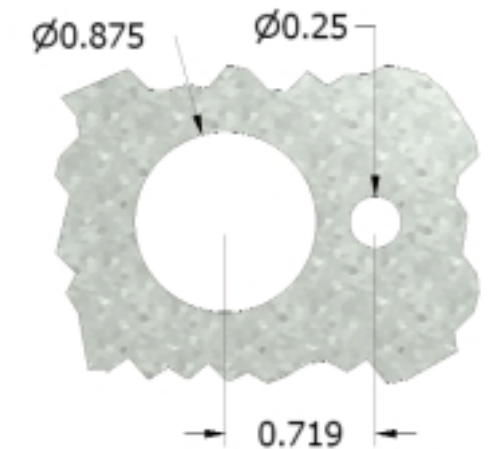
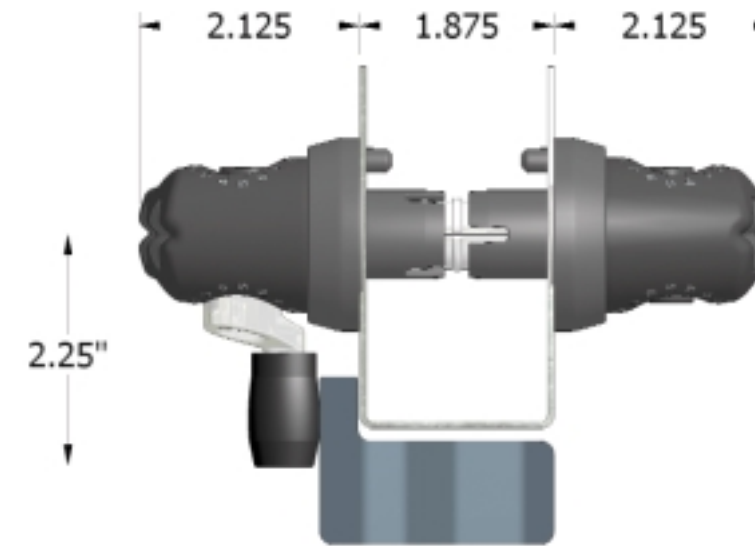
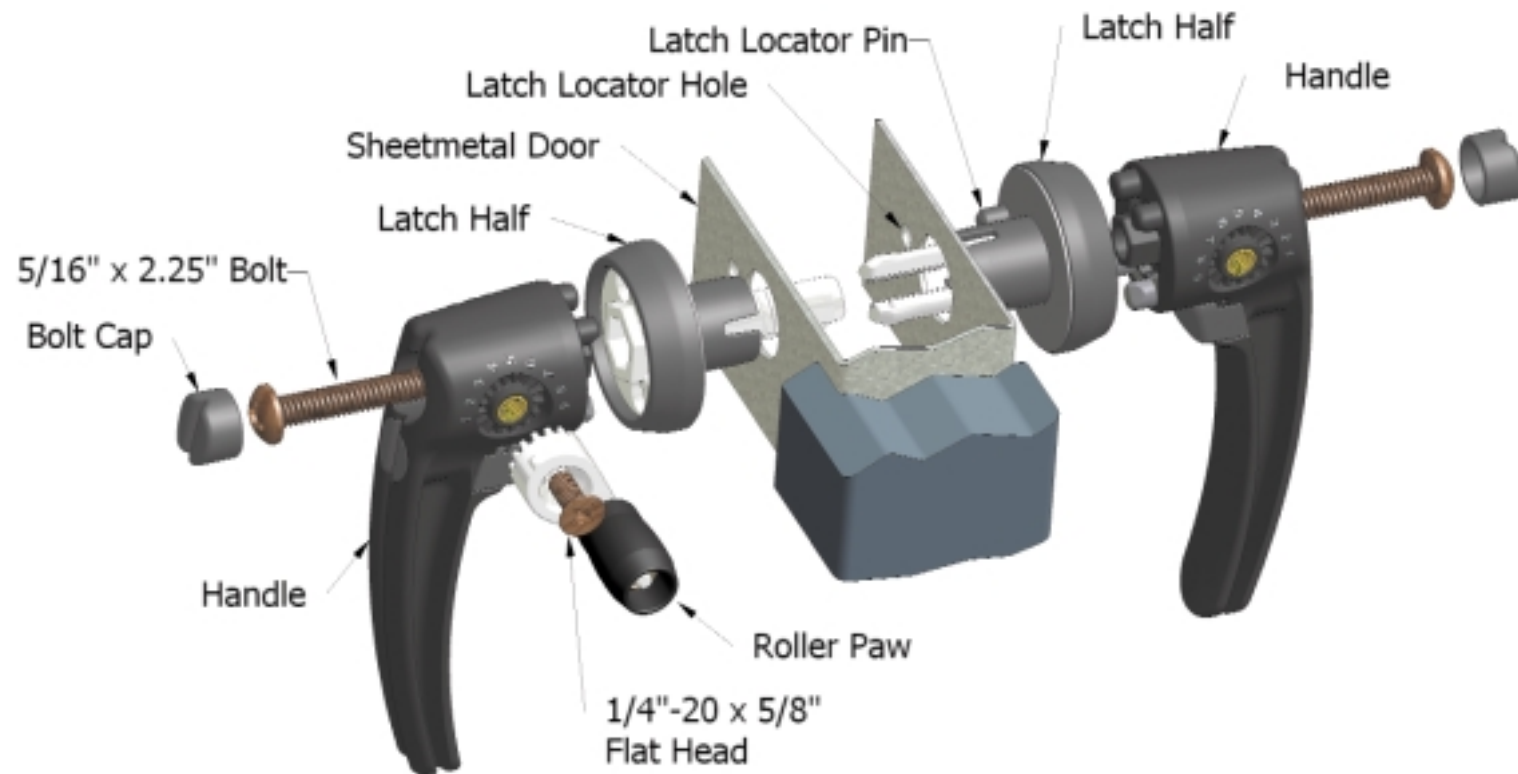
VENTFABRICS
INCORPORATED

CHICAGO, IL

800-621-2107

www.ventfabrics.com

#350 LATCH



- Roller Paw Offset
- #1 = 0.219"
 - #2 = 0.262"
 - #3 = 0.386"
 - #4 = 0.566"
 - #5 = 0.781"
 - #6 = 0.997"
 - #7 = 1.179"
 - #8 = 1.301"
 - #9 = 1.344"

Ventfabrics introduces the **#350 LATCH** with the following features and benefits: The latch requires only three main parts, the Handle, Latch, and Roller paw. It mounts on inward and outward doors, as well as left/right handed doors with the same set of parts. Best of all, the only tool required for installation is a Philips head screwdriver.

When the door is open the latch's spring loaded trigger keeps itself in an open position, insuring clearance of the door jamb, in case the door unexpectedly closes. Our Thermal Break Latch System has no exposed thru metal design.

VENTFABRICS
INCORPORATED

800-621-2107

www.ventfabrics.com