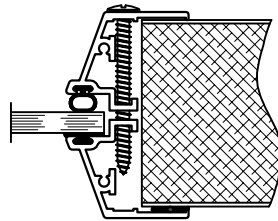
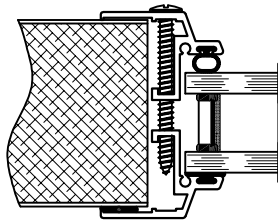
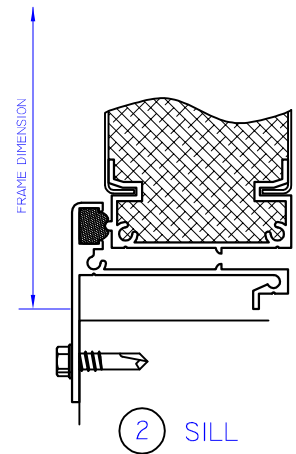
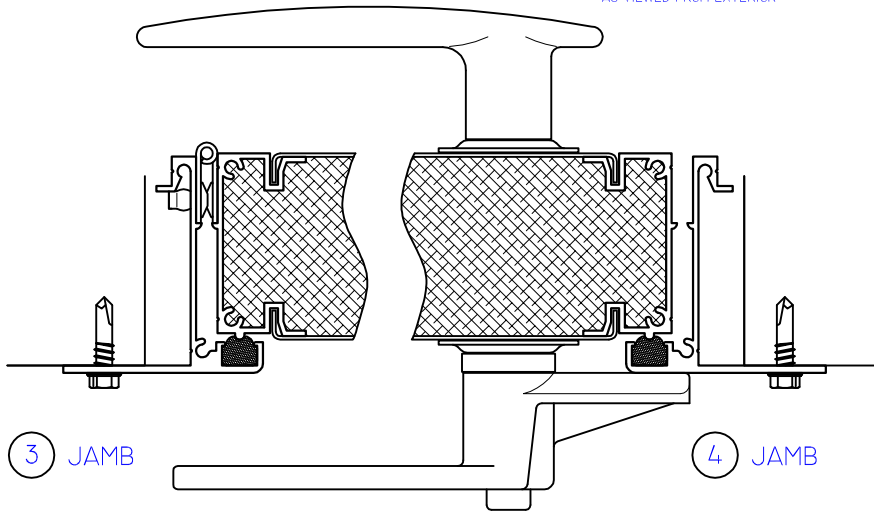
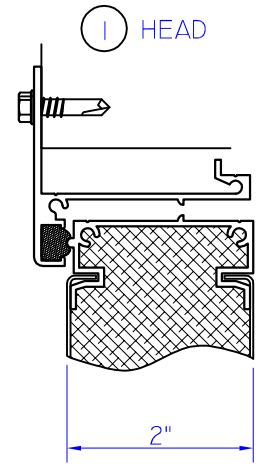
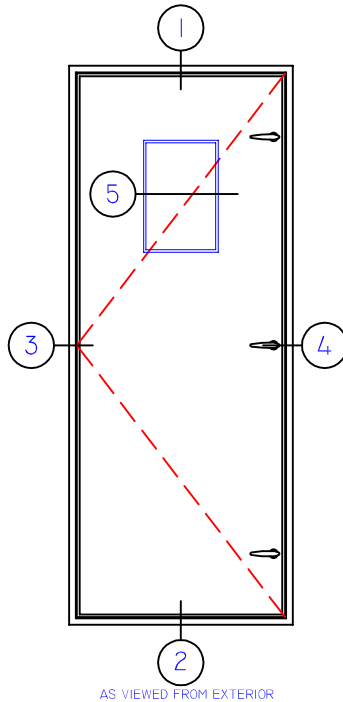


AD2100

POSITIVE / INSWING
 NON THERMAL FRAME
 (FORMERLY PA2P)



5 VIEW-PORT (OPTIONAL)

THIS DOCUMENT CONTAINS CONFIDENTIAL AND PROPRIETARY INFORMATION INTENDED FOR THE PRIVATE USE OF WINTeCH.
 ©2010 WINDOW TECHNOLOGY, INC. (DBA WINTeCH) ALL RIGHTS RESERVED.