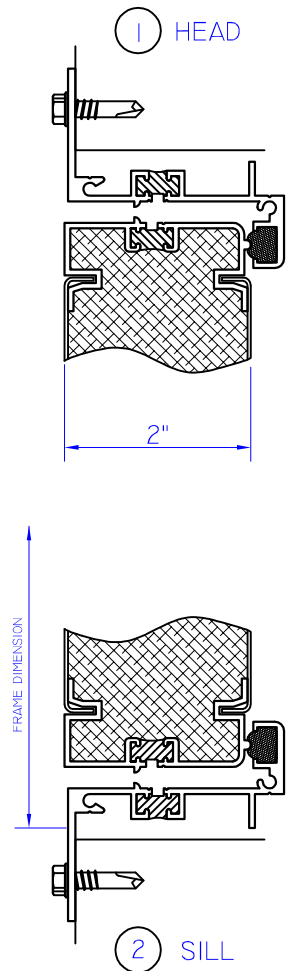
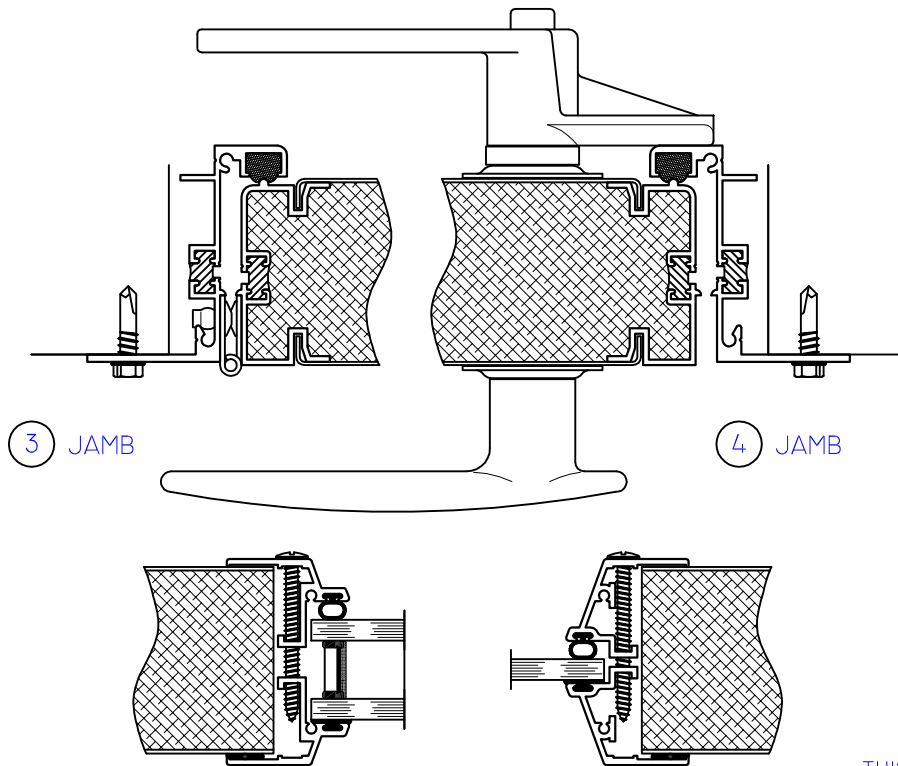
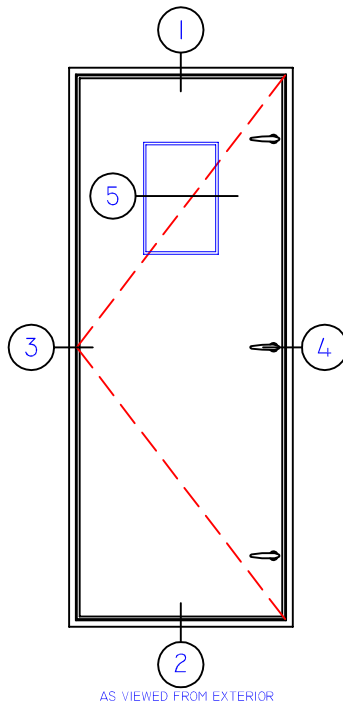


AD2100T

NEGATIVE / OUTSWING
THERMAL FRAME
(FORMERLY PA2NTB)



5 VIEW-PORT (OPTIONAL)

THIS DOCUMENT CONTAINS CONFIDENTIAL AND PROPRIETARY INFORMATION INTENDED FOR THE PRIVATE USE OF WINTeCH.
©2010 WINDOW TECHNOLOGY, INC. (DBA WINTeCH) ALL RIGHTS RESERVED.