

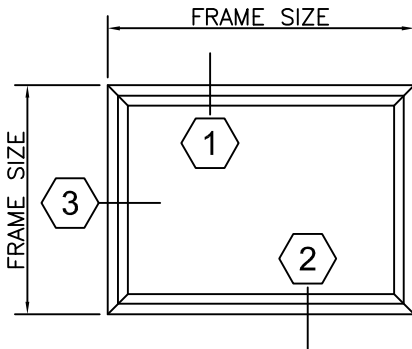
CR70 VINYL FIXED PERFORMANCE DATA: AAMA/WDMA/CSA 101/I.S.2/A440-08

| | |
|-------------------------------|----------------------------------|
| Rating | CW-PG30-TYPE F |
| Air Infiltration | <.05 cfm/ft @ 6.24 psf |
| Water Resistance | 0 Leakage at 4.5 lb/sf |
| Structural Performance | 45 psf |
| Frame Depth | 2-3/4" |
| Infill Options | Maximum 5/8" |
| U-Values | .27 (Low E and Argon) |

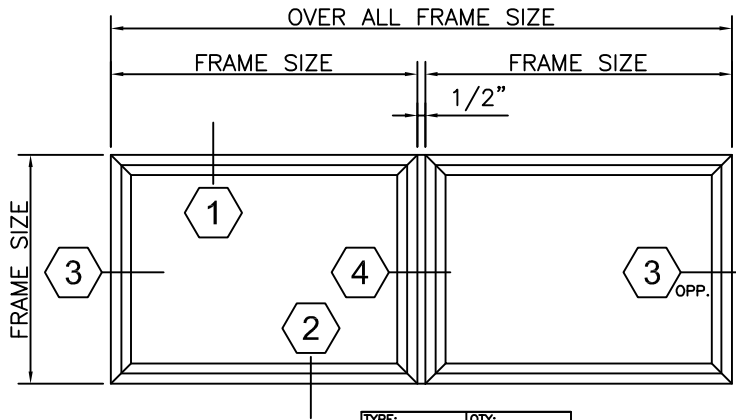
WINTTECH

P.O. BOX 480
 MONETT, MO 65708-0480

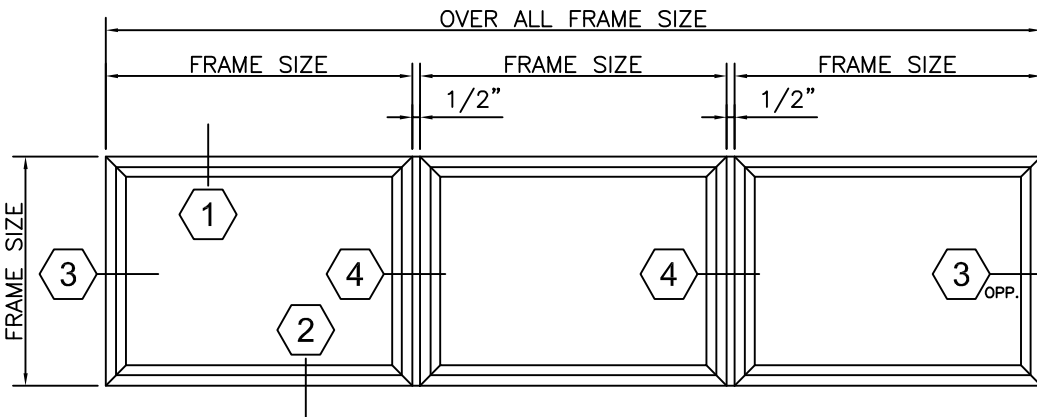
P: 417-235-7821
 F: 417-737-7140
 www.winttechinc.com



| | |
|-------------------------|------|
| TYPE: S70 | QTY: |
| ARCH MK: | |
| PRODUCT: FIXED VINYL | |

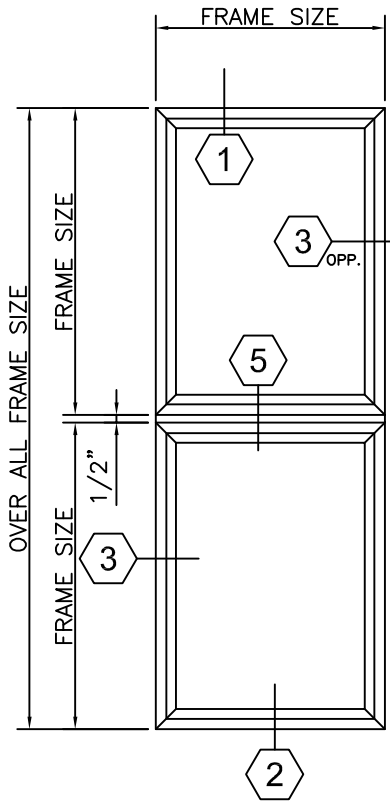


| | |
|-------------------------|------|
| TYPE: S70 | QTY: |
| ARCH MK: | |
| PRODUCT: FX-FX VINYL | |

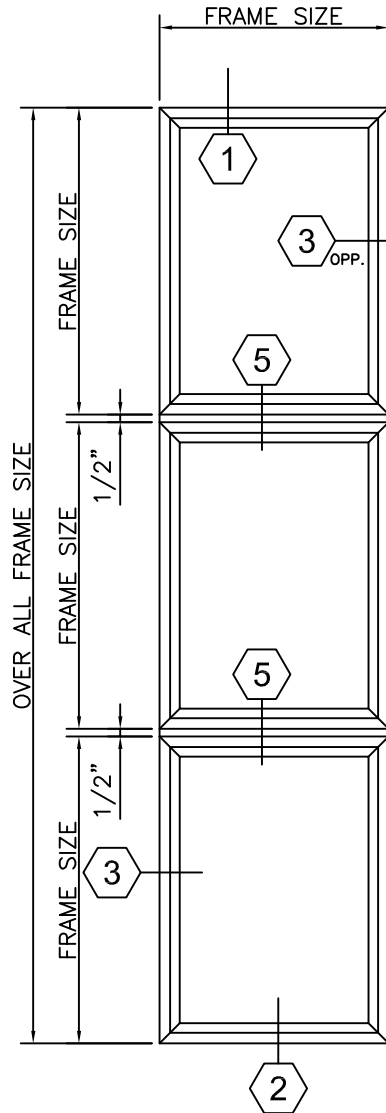


| | |
|----------------------------|------|
| TYPE: S70 | QTY: |
| ARCH MK: | |
| PRODUCT: FX-FX-FX VINYL | |

FULL SCALE DETAILS



| | |
|-------------------------|------|
| TYPE: S70 | QTY: |
| ARCH MK: | |
| PRODUCT: FX/FX VINYL | |



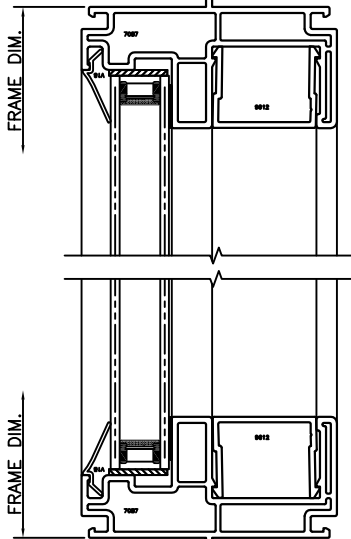
| | |
|----------------------------|------|
| TYPE: S70 | QTY: |
| ARCH MK: | |
| PRODUCT: FX/FX/FX VINYL | |

WINTTECH

P.O. BOX 480
MONETT, MO 65708-0480

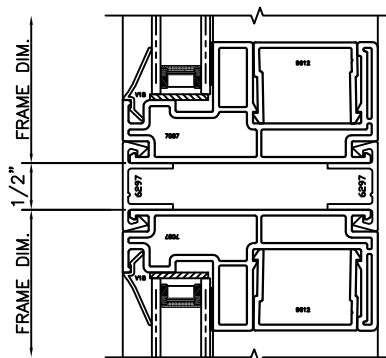
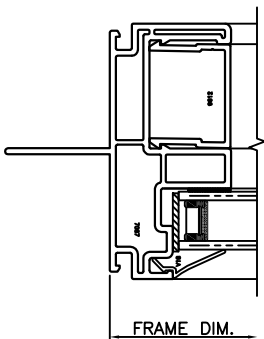
P: 417-235-7821
F: 417-737-7140
www.winttechinc.com

1 HEAD
SERIES 70
FIXED



2 SILL
SERIES 70
FIXED

3 LEFT JAMB
SERIES 70
FIXED



5 MULL STRIP
SERIES 70
FIXED

FULL SCALE DETAILS