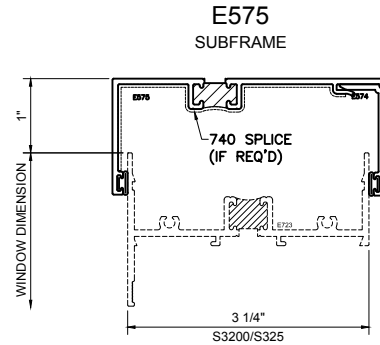
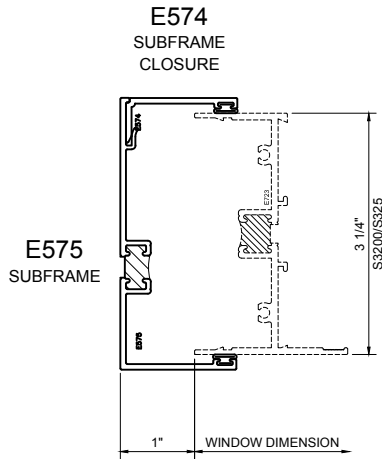


WINTTECH

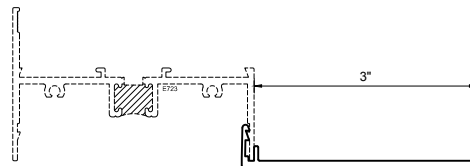
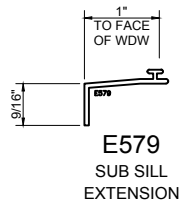
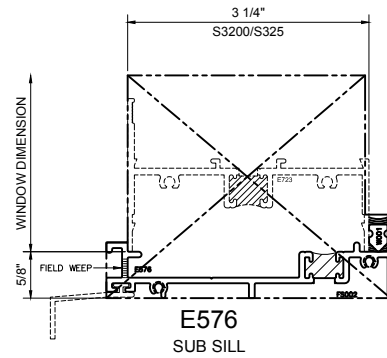
S325 SUBFRAME

P.O. BOX 480
MONETT, MO 65708-0480

P: 417-235-7821
F: 417-737-7140
www.winttechinc.com



E574
SUBFRAME
CLOSURE



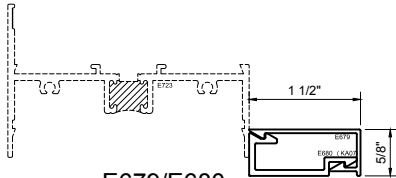
HALF SCALE DETAILS

WINTTECH

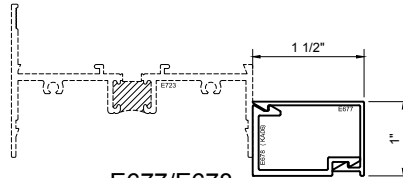
S325 TRIM/FINS

P.O. BOX 480
MONETT, MO 65708-0480

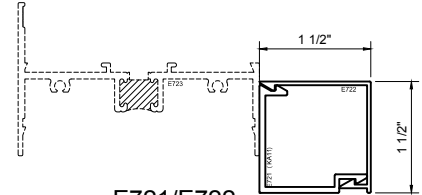
P: 417-235-7821
F: 417-737-7140
www.winttechinc.com



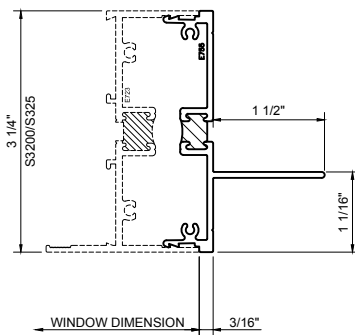
E679/E680
1 1/2" X 5/8"
INTERIOR
BOX TRIM.



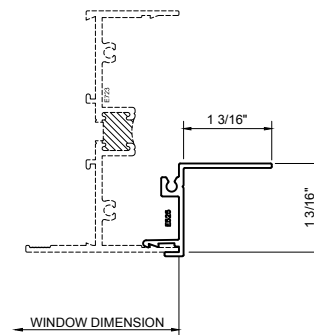
E677/E678
1 1/2" X 1"
INTERIOR
BOX TRIM.



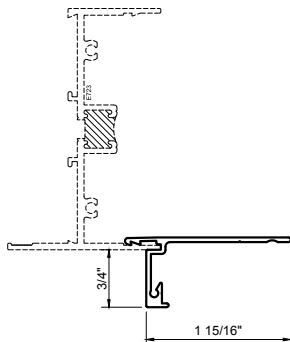
E721/E722
1 1/2" X 1 1/2"
INTERIOR
BOX TRIM.



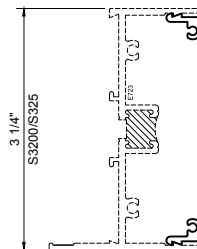
E755
THERMALLY
BROKEN NAIL FIN



E525
ALUMINUM
NAIL FIN



E530
STUCCO FIN



V50
FRAME FILLER
VINYL

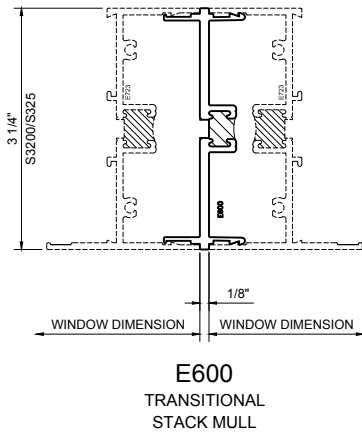
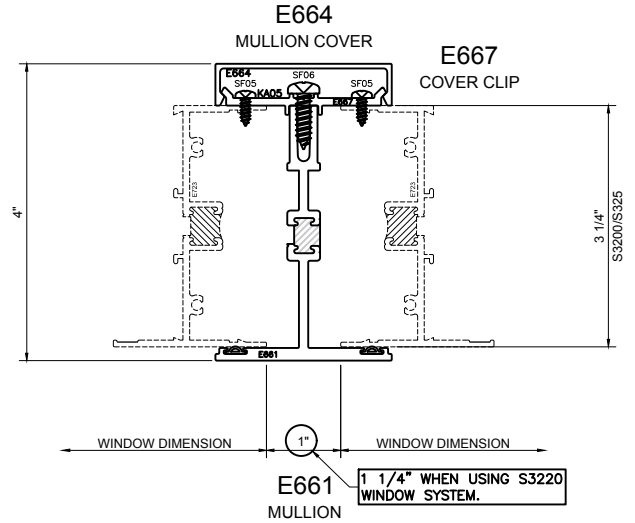
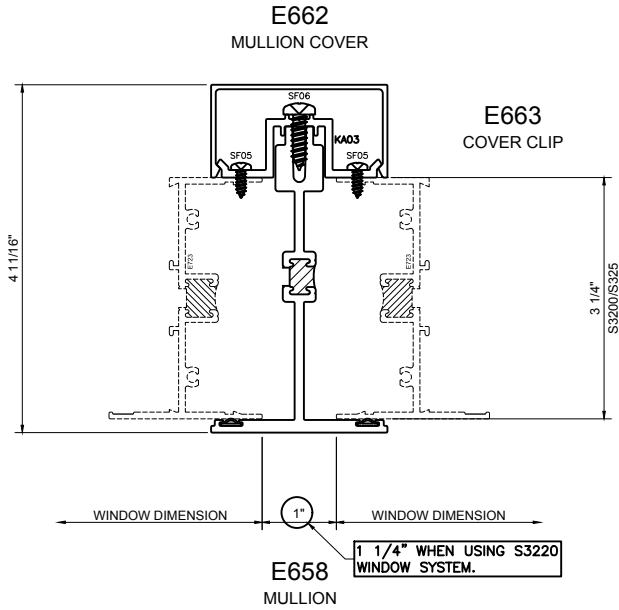
HALF SCALE DETAILS

WINTeCH

S325 MULLIONS

P.O. BOX 480
MONETT, MO 65708-0480

P: 417-235-7821
F: 417-737-7140
www.wintechinc.com



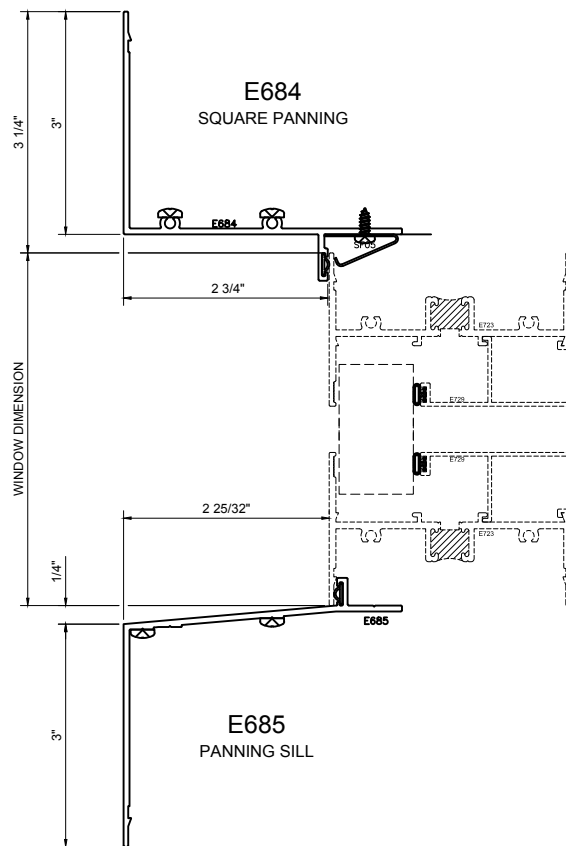
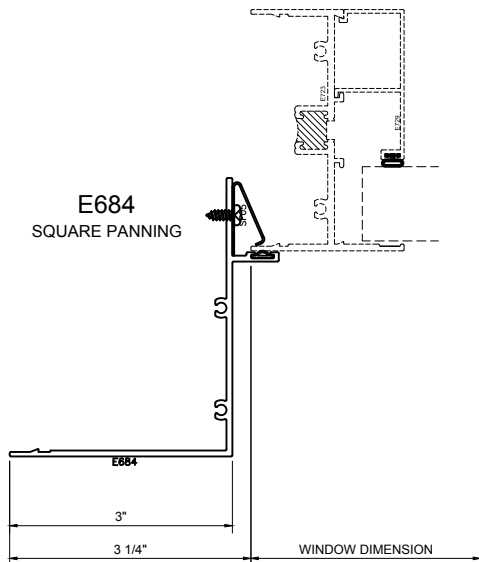
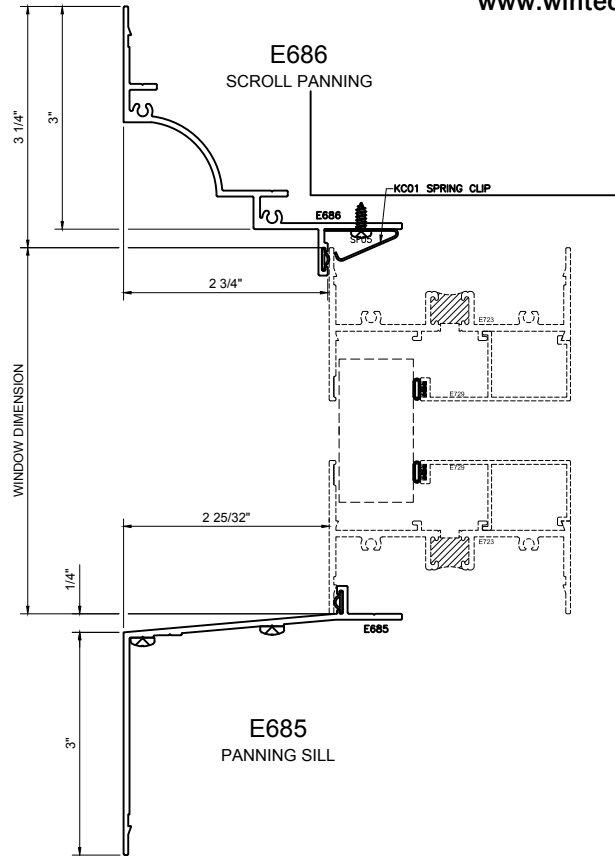
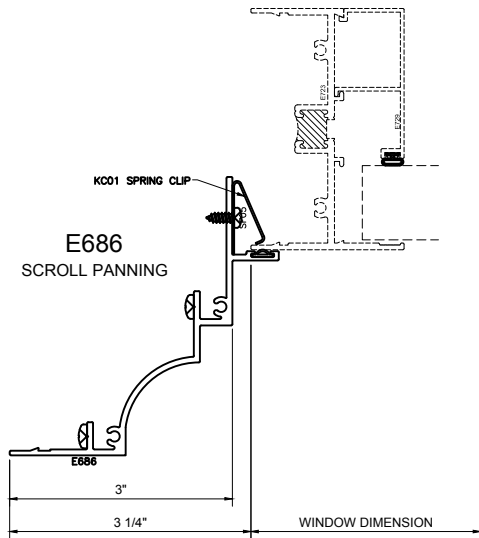
HALF SCALE DETAILS

WINTTECH

S325 PANNING

P.O. BOX 480
MONETT, MO 65708-0480

P: 417-235-7821
F: 417-737-7140
www.winttechinc.com



HALF SCALE DETAILS